

Attention !

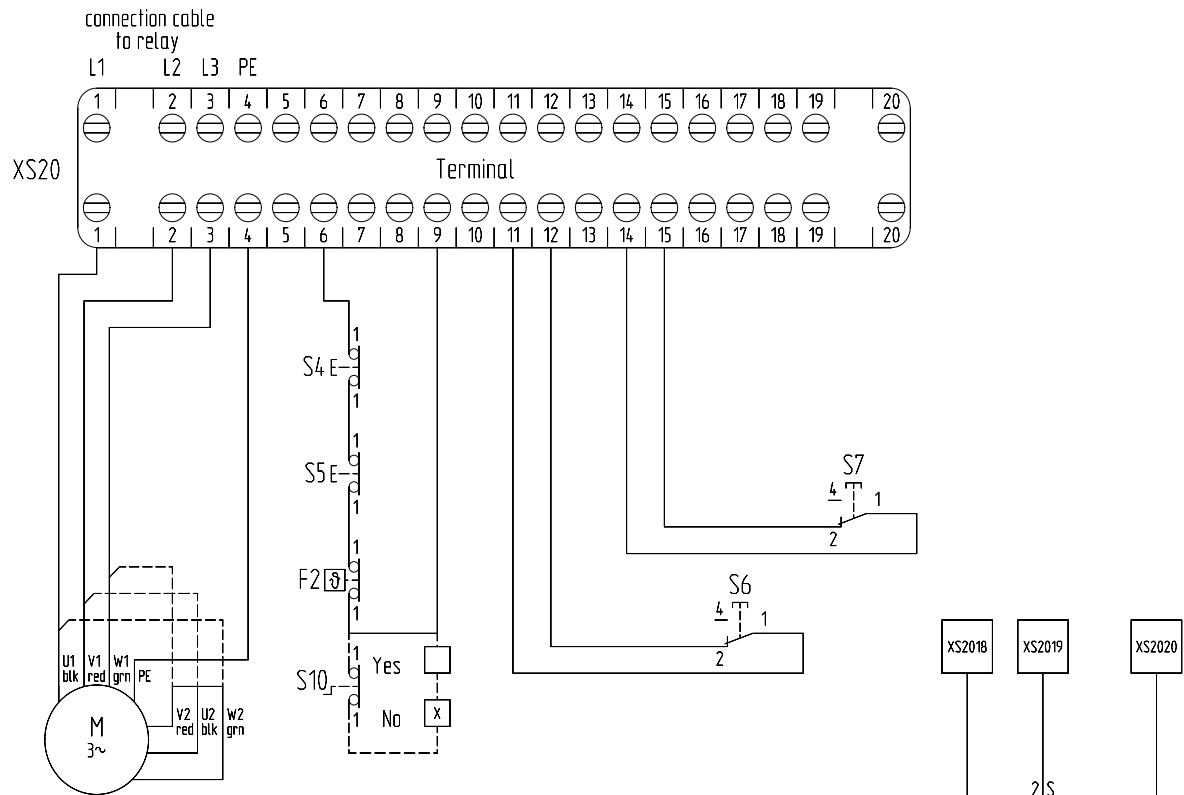
The relays used must be interlocked
 Terminal 1 + 2 + 3 = power supply from relay
 Terminal 6 + 9 = safety circuit
 Terminal 11 + 12 = end position
 Terminal 14 + 15 = end position
 External pushbuttons must be wired between terminal 9 + 11 respectively 9 + 14
 Terminal 4 = Earth wire connection / PE

F2 = Thermal switch inside motor winding
 S4 = Safety limit switch for end position S6
 S5 = Safety limit switch for end position S7
 S6 = limit switch
 S7 = limit switch
 S10 = Safety isolator switch for emergency hand crank

Options:

- S10 emergency hand crank with push-in isolator switch

- Potentiometer for actual value / different values on request

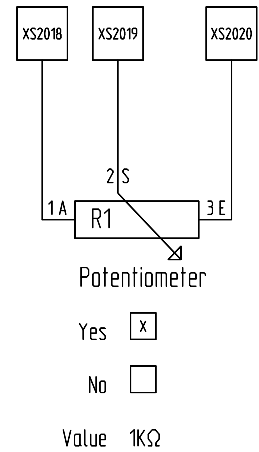


3-phase AC motor

Δ 230 Volt

Y 400 Volt

Voltage -----



Subject to technical changes

		Datum		18.11.2010		Frama Marat GmbH & Co. KG		Version 2		Projekt: Compacta		P-No. =cs2068	
		Bearb.		A.Beha / O.Trenkle		Höchst 7		6-12-MS-BE04		Projekt Nr. 20000000		V-No. +	
		Gepr.		H.Henster		D-79871 Eisenbach				Zeichnung: cs2000.zng		Blatt 1	
Zustand		Änderung		Datum		Name		Ers. f.		Ers. d.		von 1Bl.	
1		2		3		4		5		6		7	