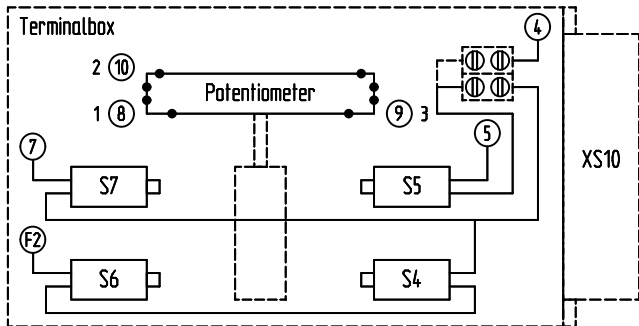
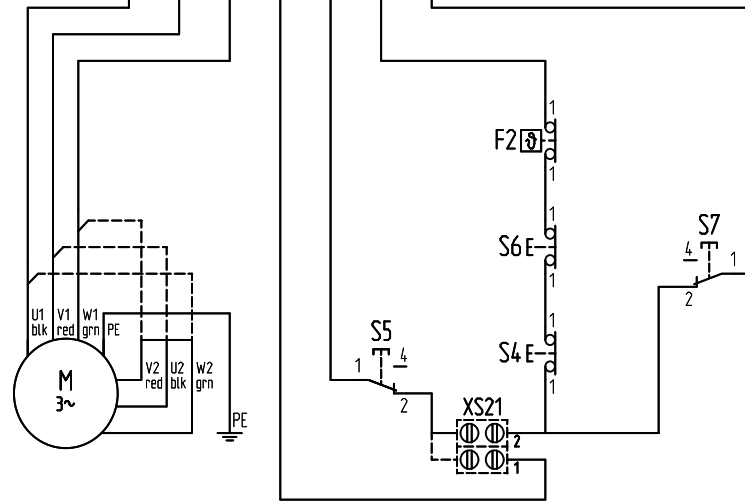
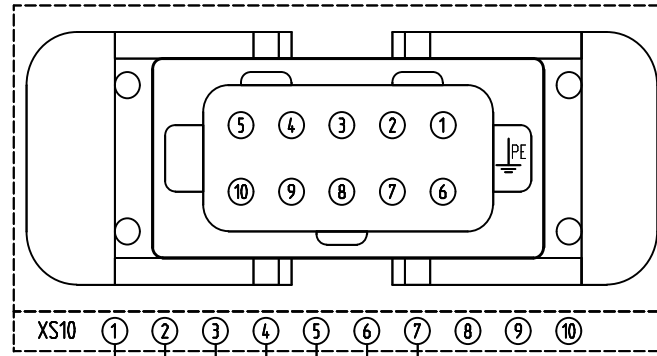


Attention !
The relays used must be interlocked

XS10 = connector plug
F2 = Thermal switch inside motor winding
S4 = Safety limit switch for end position S5
S5 = limit switch
S6 = Safety limit switch for end position S7
S7 = limit switch

Options:

- Potentiometer for actual value / different values on request

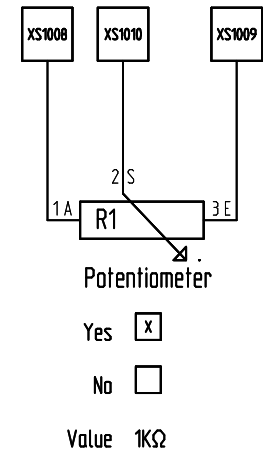


3-phase AC motor

Δ 230 Volt

Y 400 Volt

Voltage _____



Subject to technical changes

				Datum 20.02.2017		Frama Morat GmbH & Co. KG			Version 2			Projekt: Compacta		P-No. =cs2056-30812						
				Bearb. abe / bho		Höchst 7								V-No. +						
				Gepr. bho		D-79871 Eisenbach						Projekt Nr. 20000000		Blatt 1						
Zustand		Änderung		Datum		Name		Norm		Urspr.		Ers. f.		Ers. d.		Zeichnung: cs2000.zng		von 1Bl.		
1		2		3		4		5		6		7		8		9		10		11