

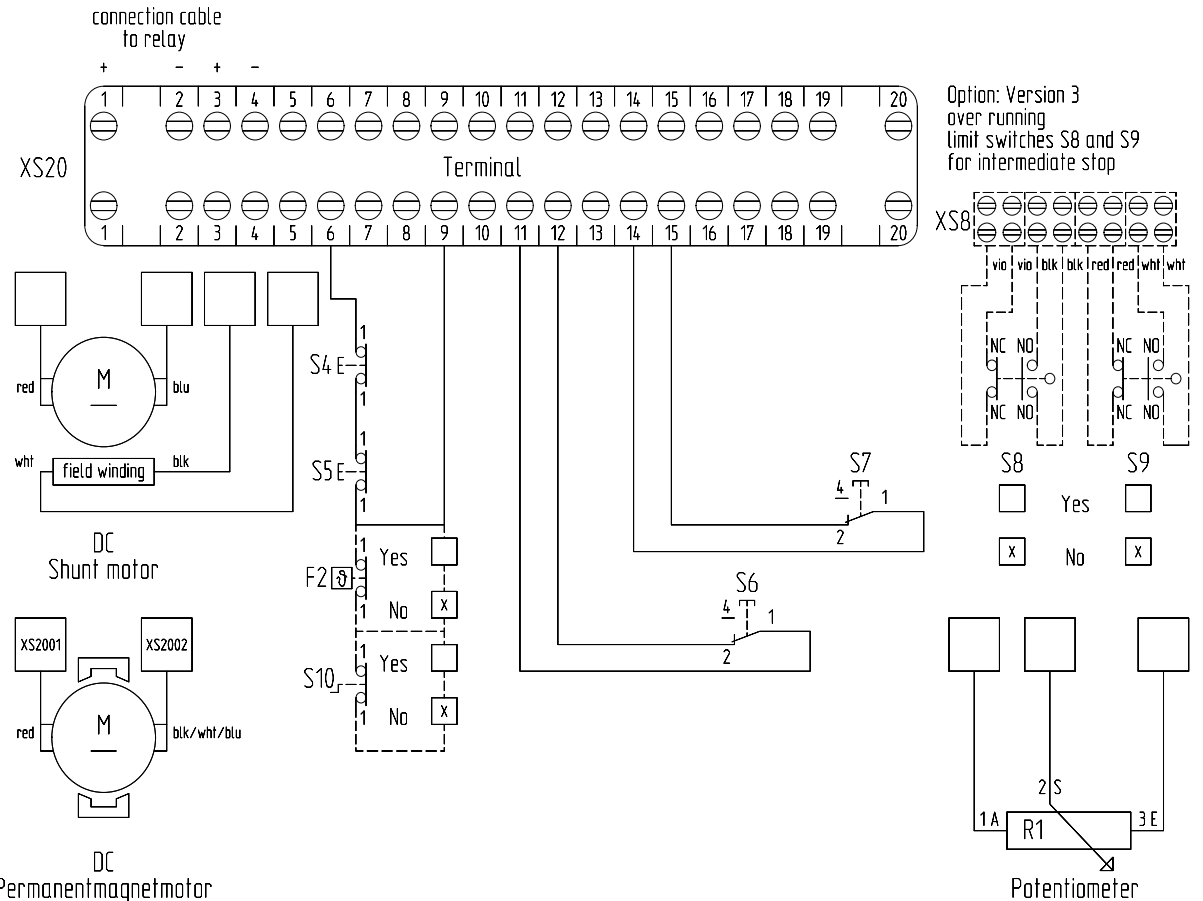
Attention !

The relays used must be interlocked
 Terminal 1 + 2 + 3 + 4 = power supply to relay
 Terminal 6 + 9 = safety circuit
 Terminal 11 + 12 = end position
 Terminal 14 + 15 = end position
 External pushbuttons must be wired between terminal 9 + 12 respectively 9 + 15

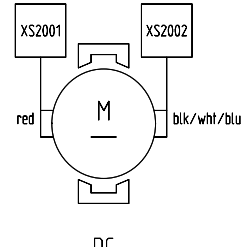
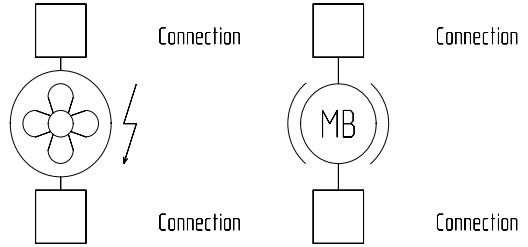
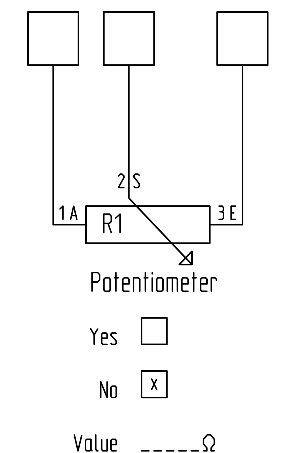
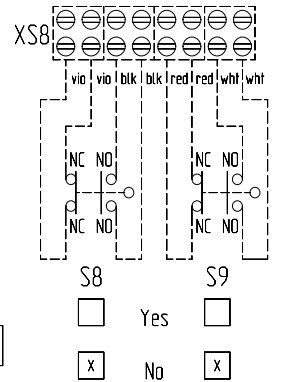
F2 = Thermal switch
 S4 = Safety limit switch for end position S6
 S5 = Safety limit switch for end position S7
 S6 = limit switch / S8 = over-running limit switch
 S7 = limit switch / S9 = over-running limit switch
 S10 = Safety isolator switch for emergency hand crank

Options:

- S10 emergency hand crank with push-in isolator switch
- Motor brake 12 Volt/DC + 24 Volt/DC + 230 Volt/AC + 400 Volt/AC
- External ventilator with axial fan 230 Volt/AC for Compacta MS12
- Incremental-Encoder / different resolutions on request
- Potentiometer for actual value / different values on request
- Version 3 / over-running limit switch for intermediate stop



Option: Version 3
 over running
 limit switches S8 and S9
 for intermediate stop



External ventilation	Motor brake	Incremental-Encoder	Permanentmagnetmotor
Yes <input type="checkbox"/>	Yes <input type="checkbox"/>	Yes <input type="checkbox"/>	DC Shunt motor <input type="checkbox"/>
No <input checked="" type="checkbox"/>	No <input checked="" type="checkbox"/>	No <input checked="" type="checkbox"/>	Permanentmagnet <input checked="" type="checkbox"/>
Voltage -----	Voltage -----	Resolutions -----	24 Volt <input checked="" type="checkbox"/>
		Connection data refer to supplement	42 Volt <input type="checkbox"/>
			Voltage -----

Subject to technical changes

Datum 02.07.2008			Framo Morat GmbH & Co. KG Höchst 7 D-79871 Eisenbach www.framo-morat.com		Version 22 + 3		Projekt: Compacta		=c22020		
Bearb. A.Beha							Projekt Nr. 20000000		Blatt 1		
Gepr. H.Henster							Zeichnung: c22000.zng		von 1Bl.		
Zustand	Änderung	Datum	Name	Norm	Urspr.	Ers. f.	Ers. d.				
1		2		3		4		5		6	