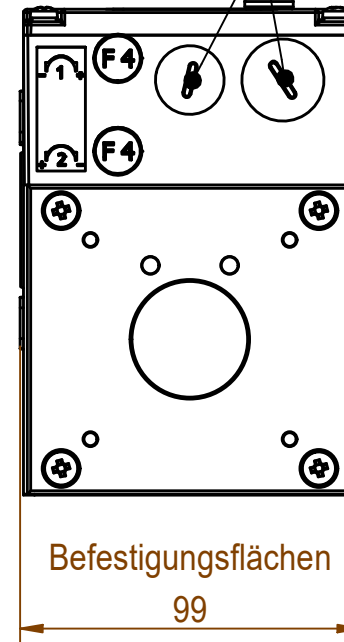
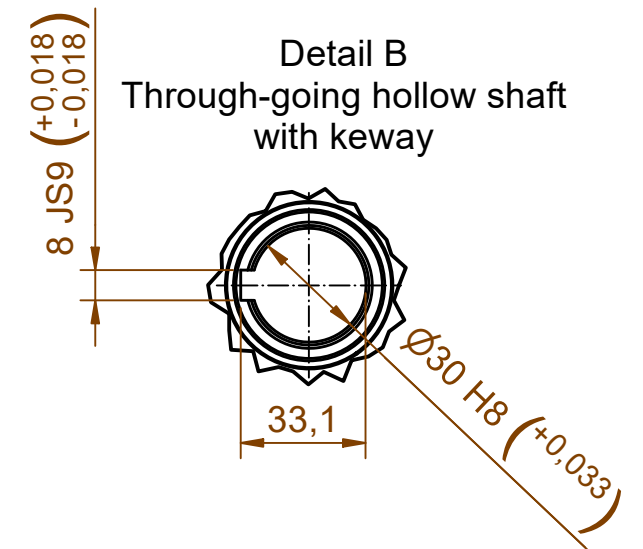
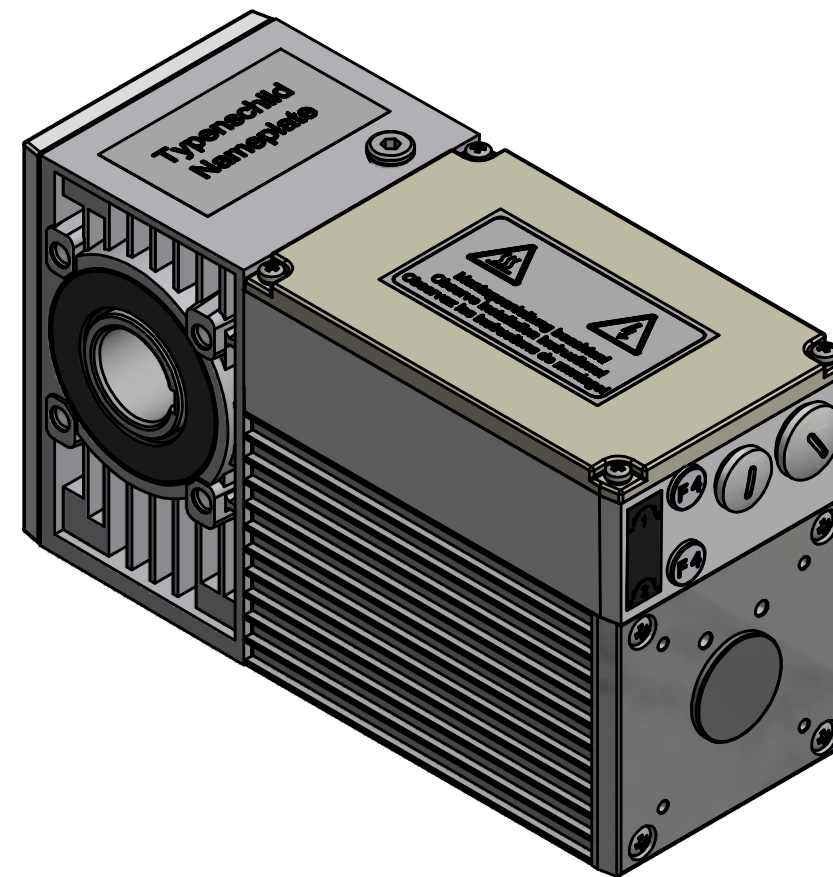
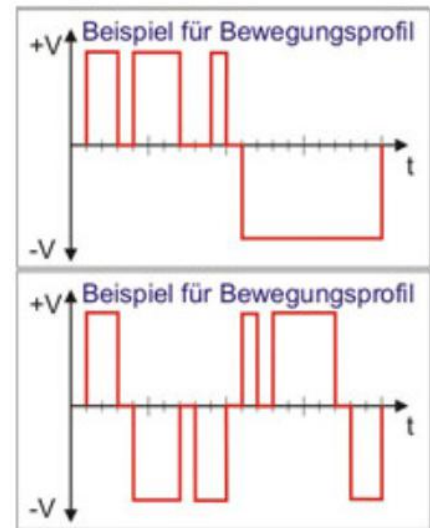
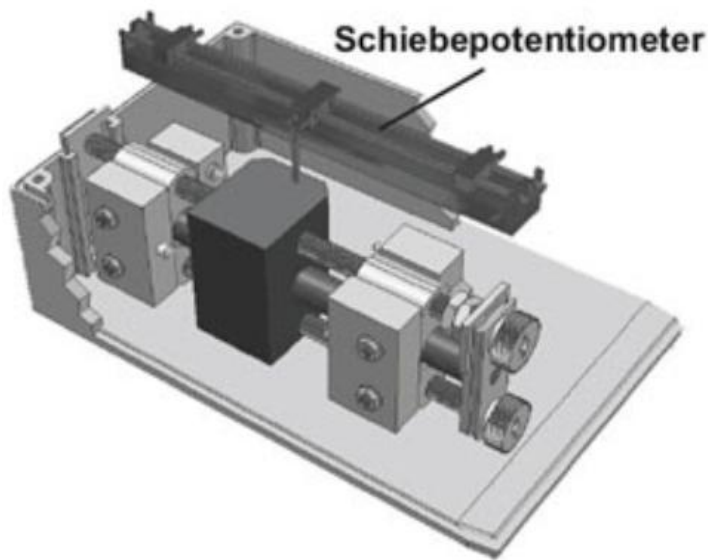


Connection:
tapped hole
M16x1,5 + M20x1,5



Configuration	
Description	Property value
Type	Compacta MS12
Mains	Three-phase current
Mains frequency	50 Hz
Y-Connection	No
Supply voltage	230 / 400V AC
Supply connection	3 x 230V AC
Output speed rpm	3 min-1
Output torque in Nm / Duty cycle (ED) in %	100 Nm / 40% 75 Nm / 60%
Duty cycle according to nameplate	40%
Self locking	dynamic
Ratio	225 : 1
Lubrication	Klübersynth G34-130
First gear stage	Plastic
Limit switch range	0,5 revolutions on output
Protection class	IP54
Motor rating	0,12 kW
Current value	2,1 A
Equipment	
Slide potentiometer 10 kOhm	



Safeguarded by 2 safety limit switches for applications with a defined end position in both directions of rotation.

Additional position signal using linear potentiometers.

Bezeichnung / designation			Compacta MS12 Induction Motor		
Datenblatt / technical datasheet					
10000000000176236			 Franz Morat Group		
Artikel Nr. / article no. 6-12-MS-0039					
gezeichnet / drawn	Datum / date 15.10.2024	Name / name mwid	Framo Morat GmbH & Co. KG Franz-Morat-Straße 6 D-79871 Eisenbach www.framo-morat.com		