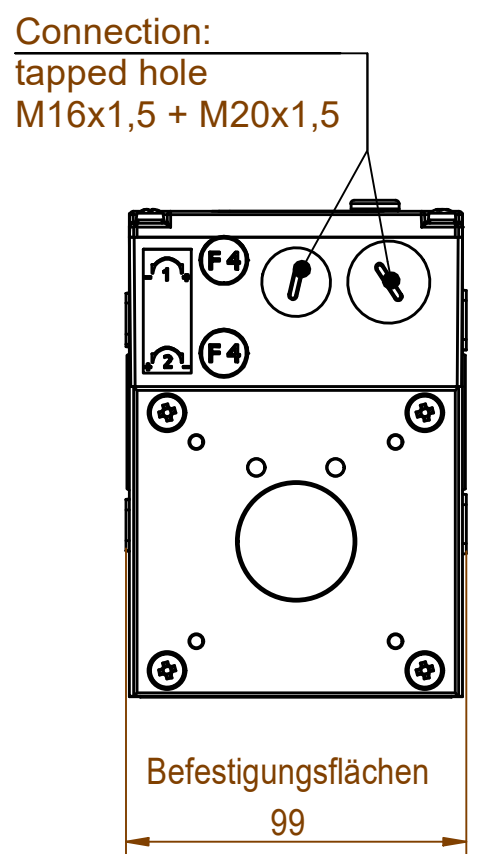
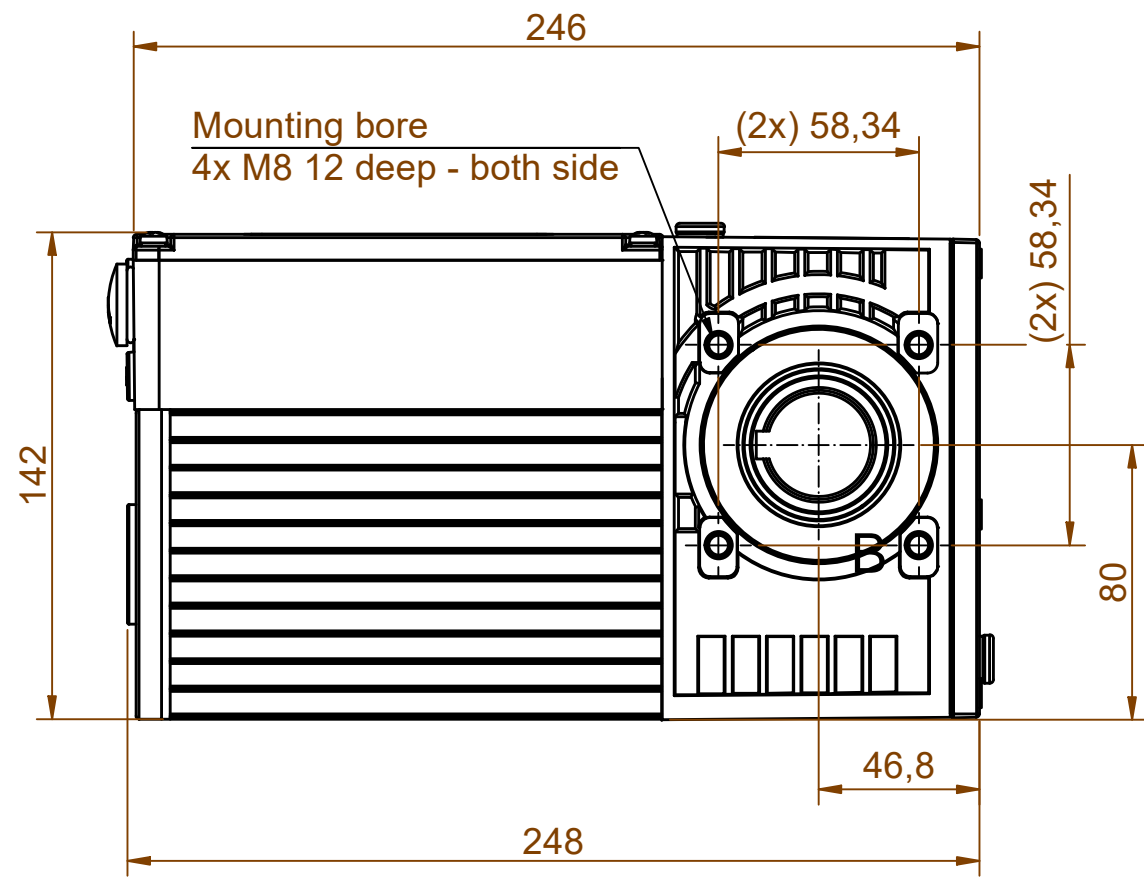
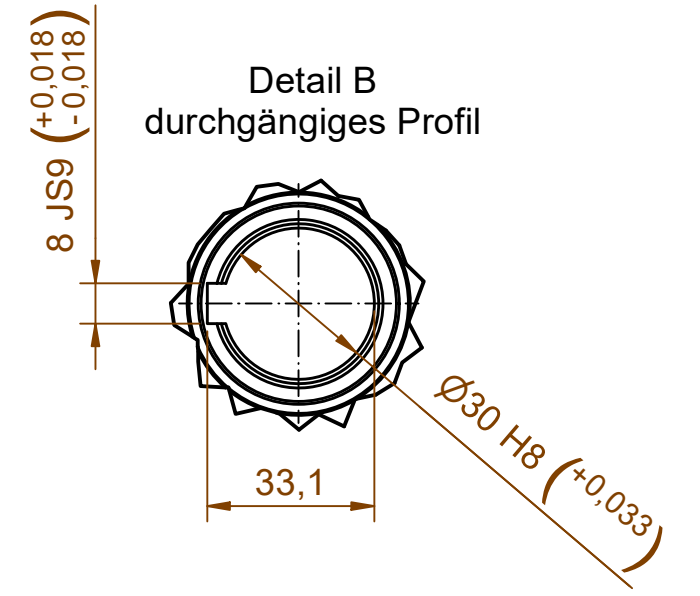
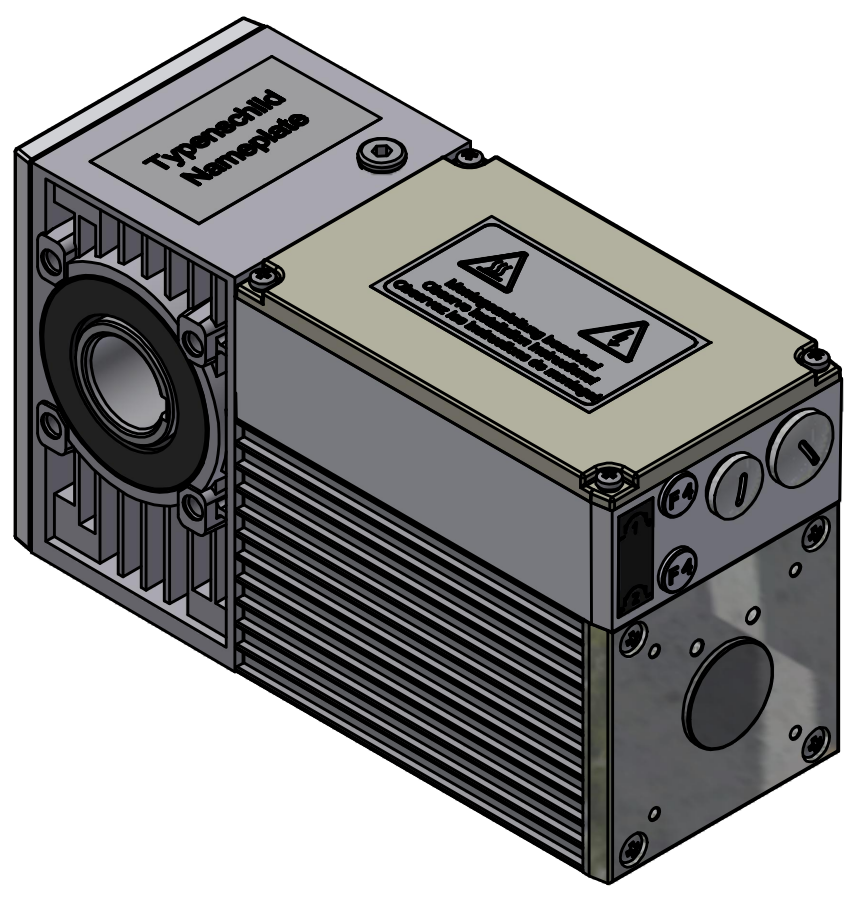
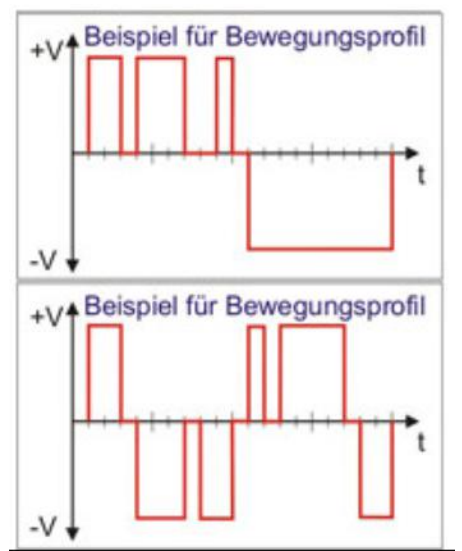
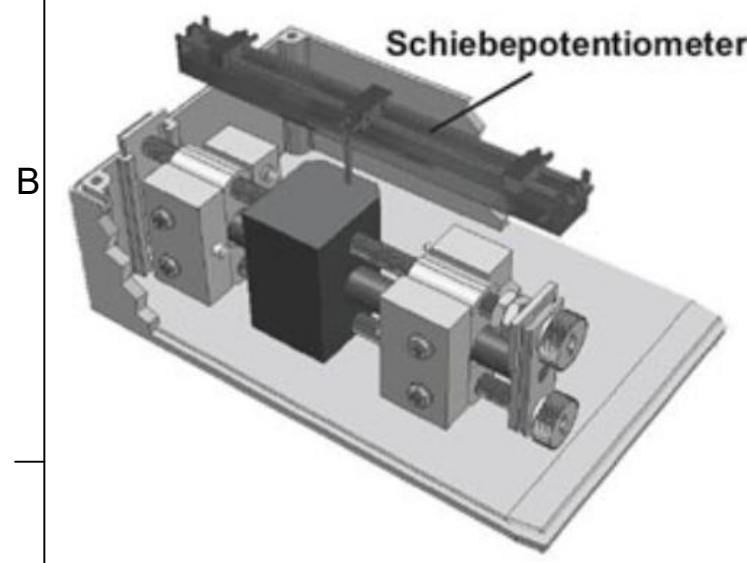


6 5 4 3 2 1



Configuration	
Description	Property value
Type	Compacta MS12
Mains	Three-phase current
Mains frequency	50 Hz
Y-Connection	Yes
Supply voltage	230/400V AC
Supply connection	3 x 400V AC
Output speed rpm	6,1 min ⁻¹
Output torque in Nm / Duty cycle (ED) in %	142 Nm / 40% 106,5 Nm / 60%
Duty cycle according to nameplate	40%
Self locking	dynamic
Ratio	225 : 1
Lubrication	TRIBOL 800/680
First gear stage	Plastic
Limit switch range	20 revolutions on output
Protection class	IP54
Motor rating	0,3 kW
Current value	1,3 A
Equipment	
Slide potentiometer 1 kOhm	



Safeguarded by 2 safety limit switches for applications with a defined end position in both directions of rotation.
Additional position signal using linear potentiometers.

Bezeichnung / designation			Compacta MS12 Induction Motor		
Datenblatt / technical datasheet					
10000000000176208			 Franz Morat Group		
Artikel Nr. / article no. 6-12-MS-0038					
gezeichnet / drawn	Datum / date 14.10.2024	Name / name mwid	Framo Morat GmbH & Co. KG Franz-Morat-Straße 6 D-79871 Eisenbach www.framo-morat.com		

6 5 4 3 2 1