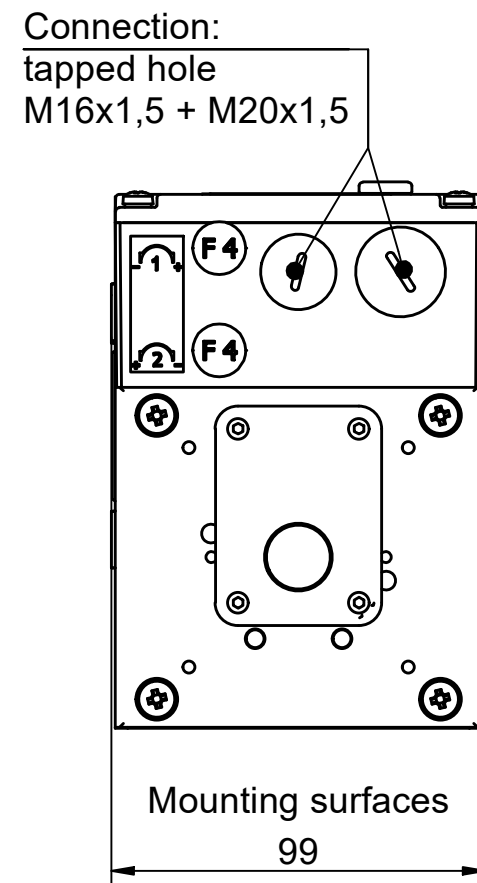
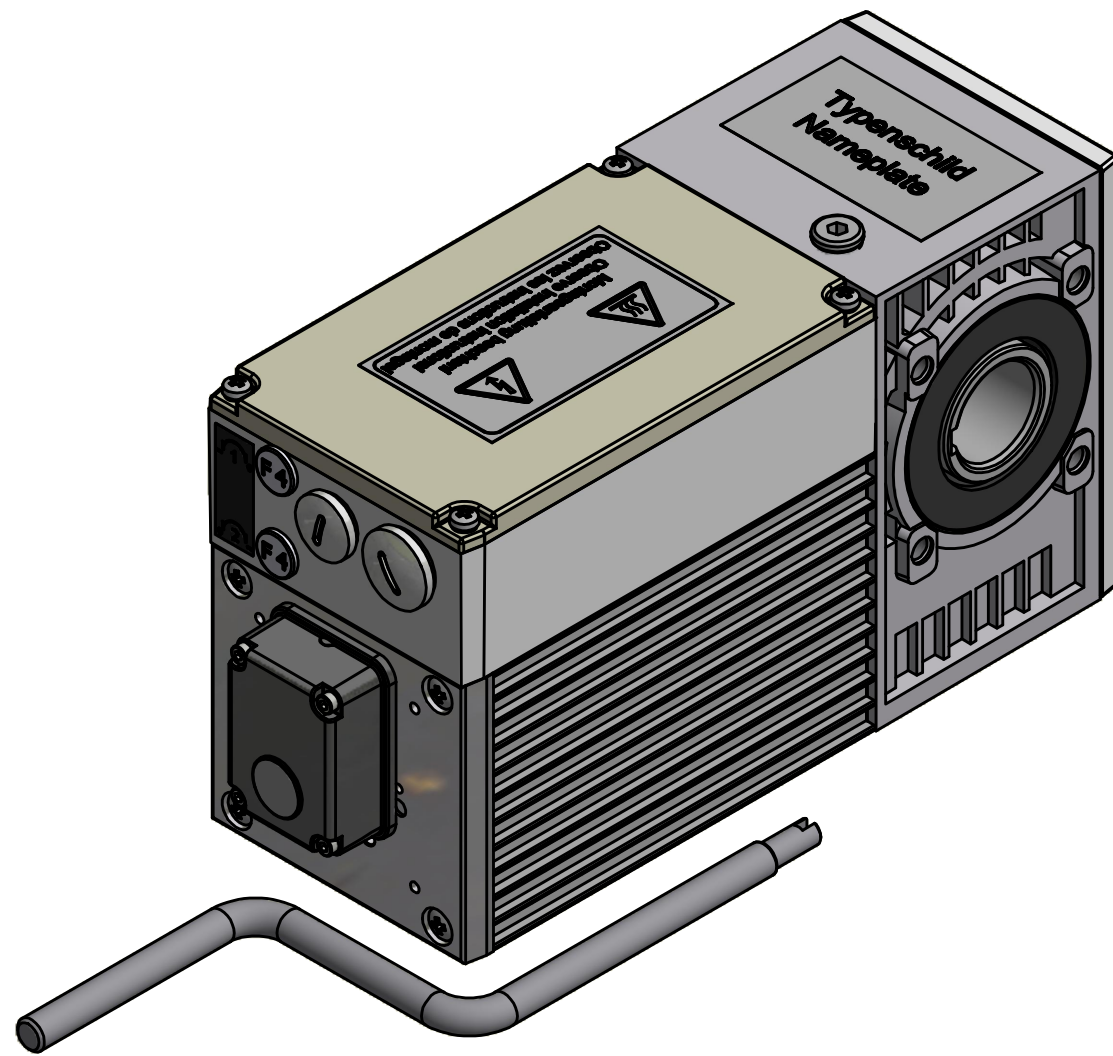
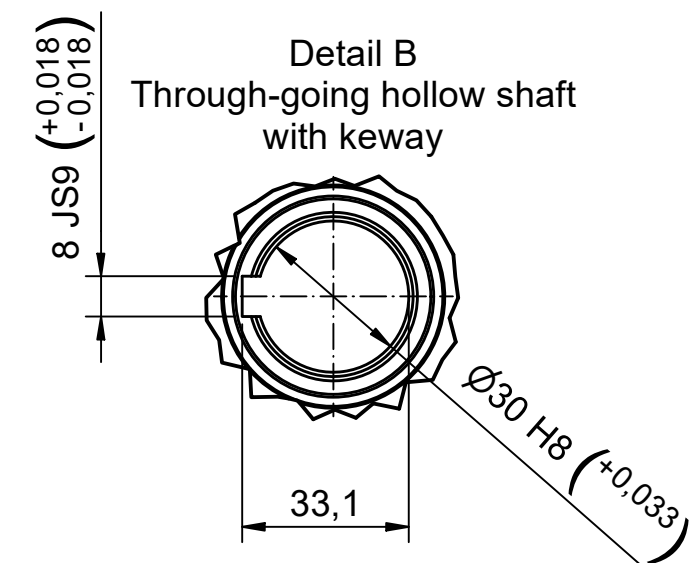


Safeguarded by 2 safety limit switches without reversing contactors for applications with a defined end position in both directions of rotation



Configuration	
Description	Property value
Type	Compacta MS12
Mains	Three-phase current
Mains frequency	50 Hz
Y-Connection	Yes
Supply voltage	230/400V AC
Supply connection	3 x 400V AC
Output speed rpm	94,8 min ⁻¹
Output torque in Nm / Duty cycle (ED) in %	30 Nm / 40% 22,5 Nm / 60%
Duty cycle according to nameplate	60%
Self locking	no
Ratio	29 : 1
Lubrication	TRIBOL 800/680
First gear stage	Plastic
Limit switch range	18 revolutions on output
Protection class	IP54
Motor rating	0,3 kW
Current value	1,3 A
Equipment	
Hand crank with electric protection	



Bezeichnung / designation		
Compacta MS12 Induction Motor		
Datenblatt / technical datasheet		
10000000000168780		
Artikel Nr. / article no.		
6-12-MS-0035		
Datum / date		Name / name
01.03.2024		mwid
gezeichnet / drawn		
 FramoMorat GmbH & Co. KG Franz-Morat-Straße 6 D-79871 Eisenbach www.framo-morat.com		