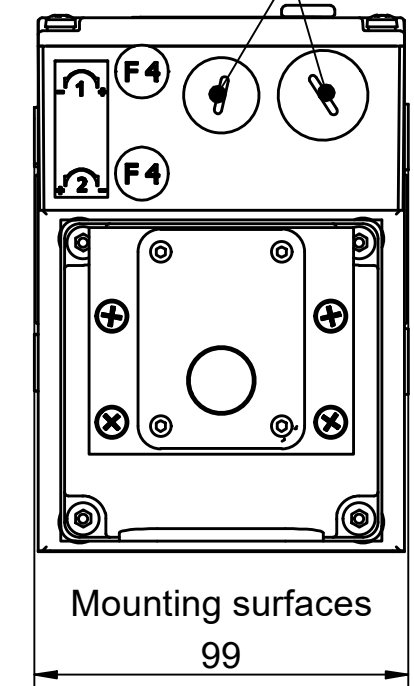
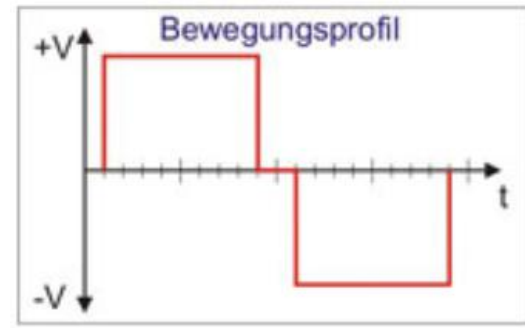
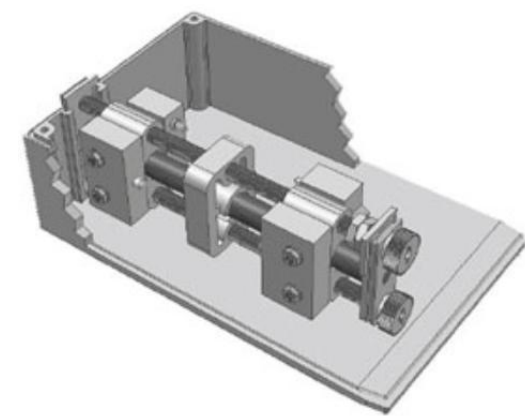


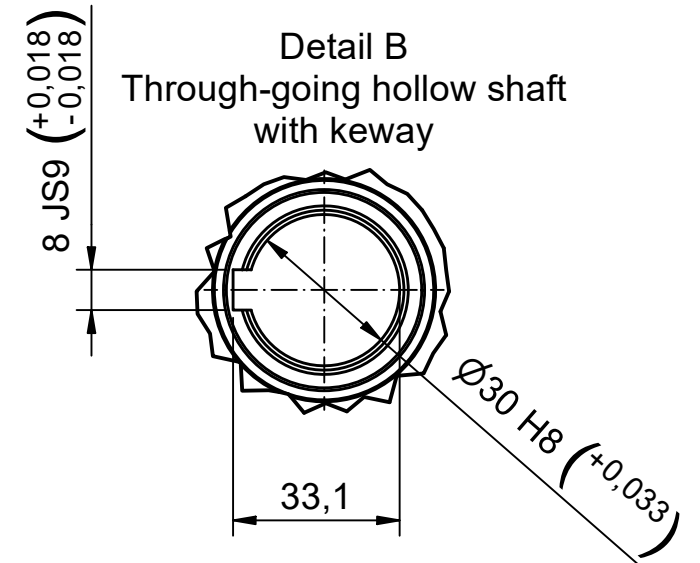
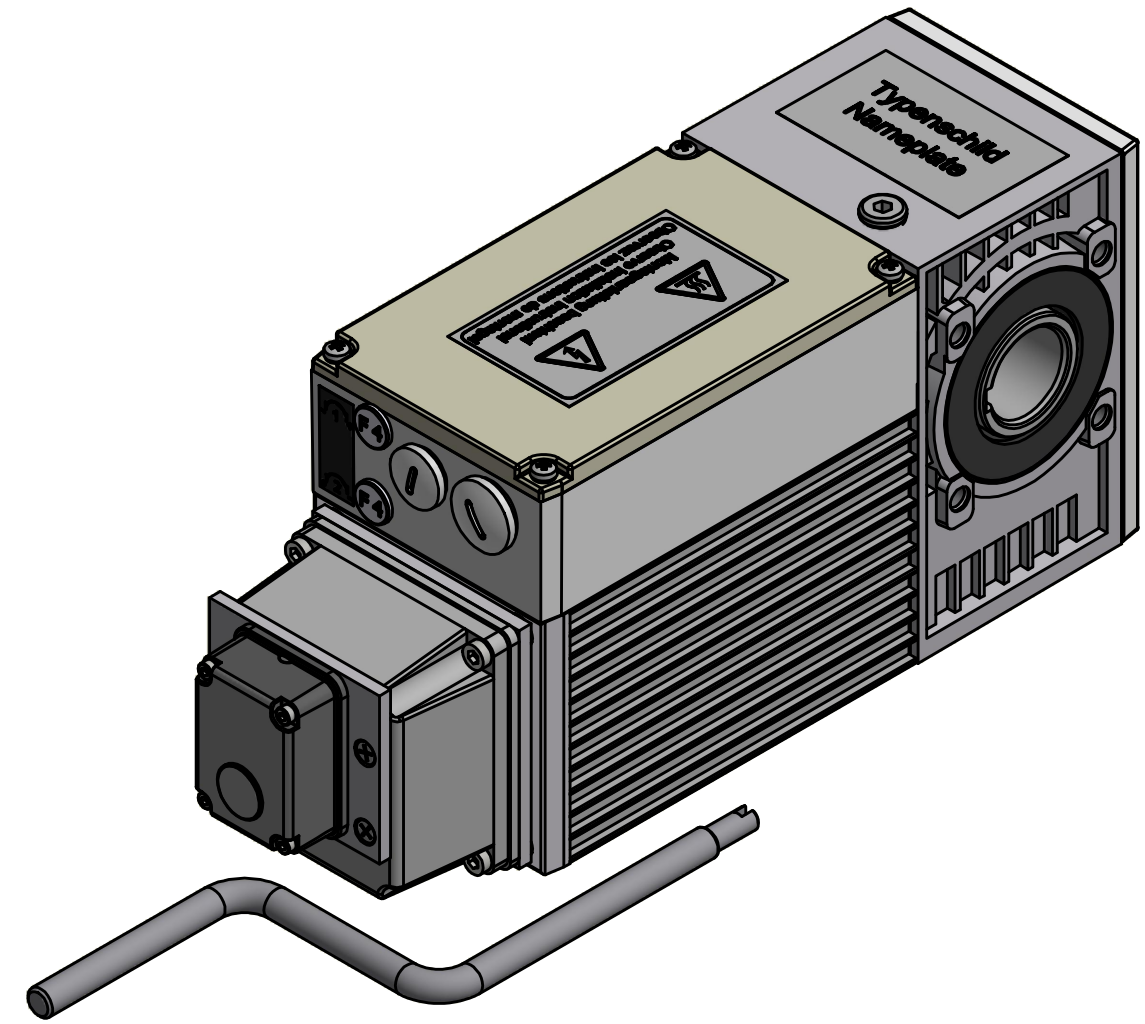
Connection:
tapped hole
M16x1,5 + M20x1,5



Configuration	
Description	Property value
Type	Compacta MS12
Mains	Three-phase current
Mains frequency	50 Hz
Y-Connection	No
Supply voltage	230/400V AC
Supply connection	3 x 230V AC
Output speed rpm	32,7 min-1
Output torque in Nm / Duty cycle (ED) in %	59 Nm / 40% 44 Nm / 60%
Duty cycle according to nameplate	40%
Self locking	static
Ratio	84 : 1
Lubrication	TRIBOL 800/680
First gear stage	Plastic
Limit switch range	50 revolutions on output
Protection class	IP54
Motor rating	0,4 kW
Current value	2,1 A
Equipment	
Spring applied brake 2Nm / 400 V AC	
Hand crank with electric protection	



Safeguarded by 2 safety limit switches
without reversing contactors for
applications with a defined end
position in both directions of rotation.



Bezeichnung / designation		Compacta MS12 Induction Motor	
Datenblatt / technical datasheet			
10000000000162371		 Franz Morat Group	
Artikel Nr. / article no. 6-12-MS-0030			
gezeichnet / drawn	Datum / date 17.10.2023	Name / name mwid	Framo Morat GmbH & Co. KG Franz-Morat-Straße 6 D-79871 Eisenbach www.framo-morat.com