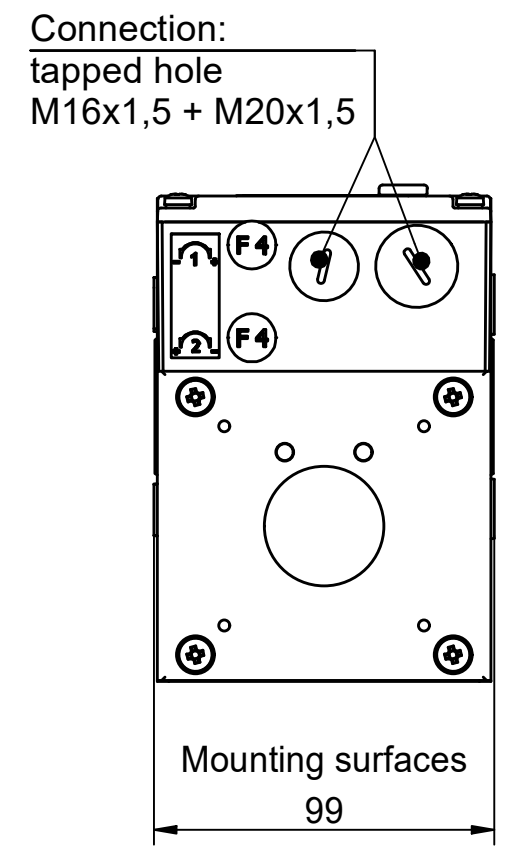
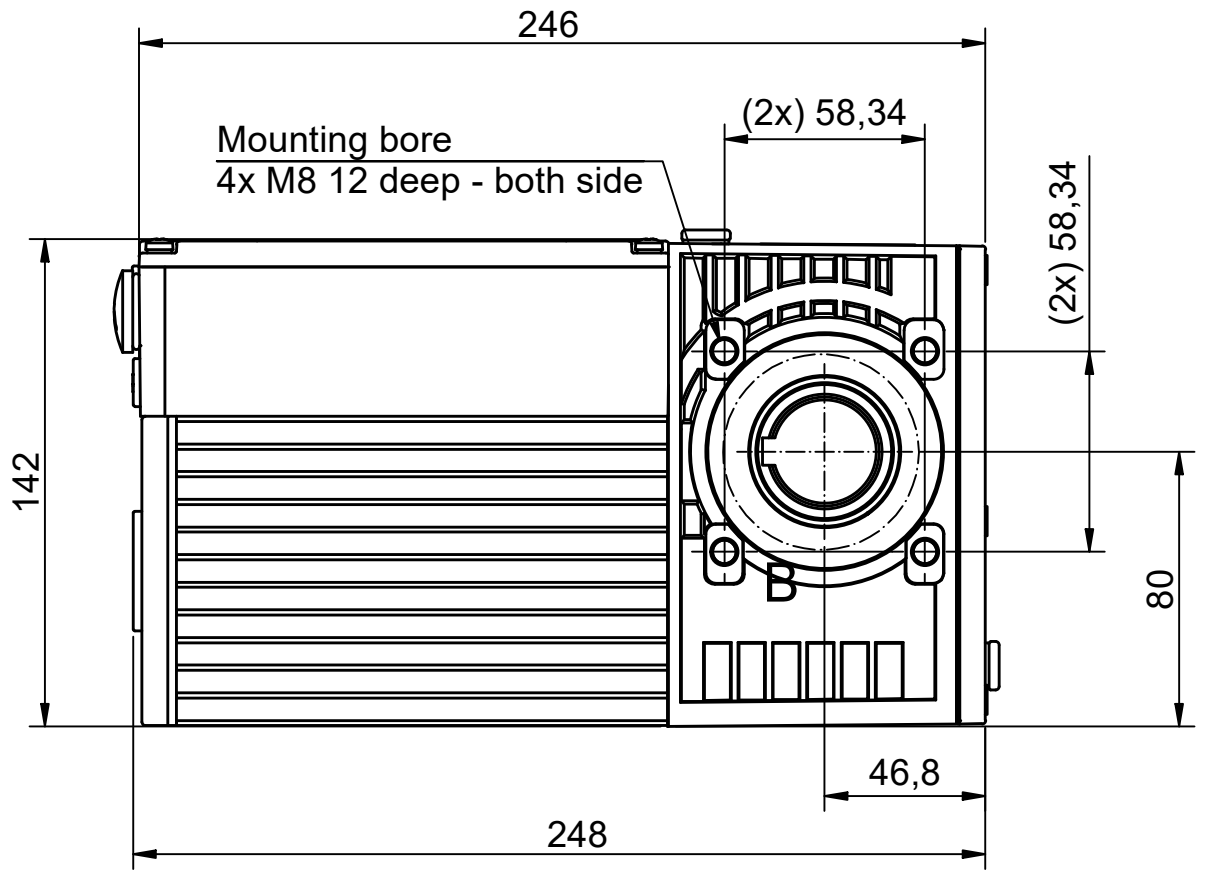
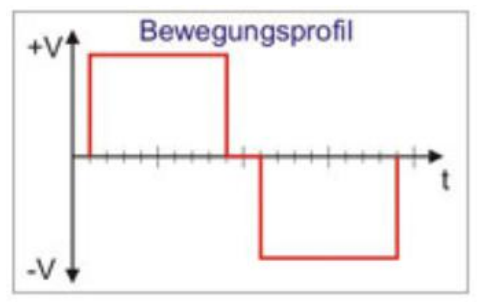
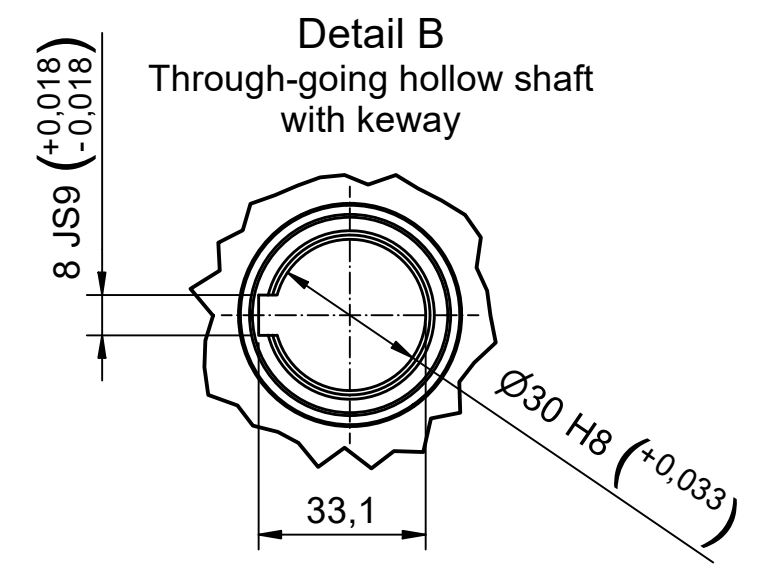
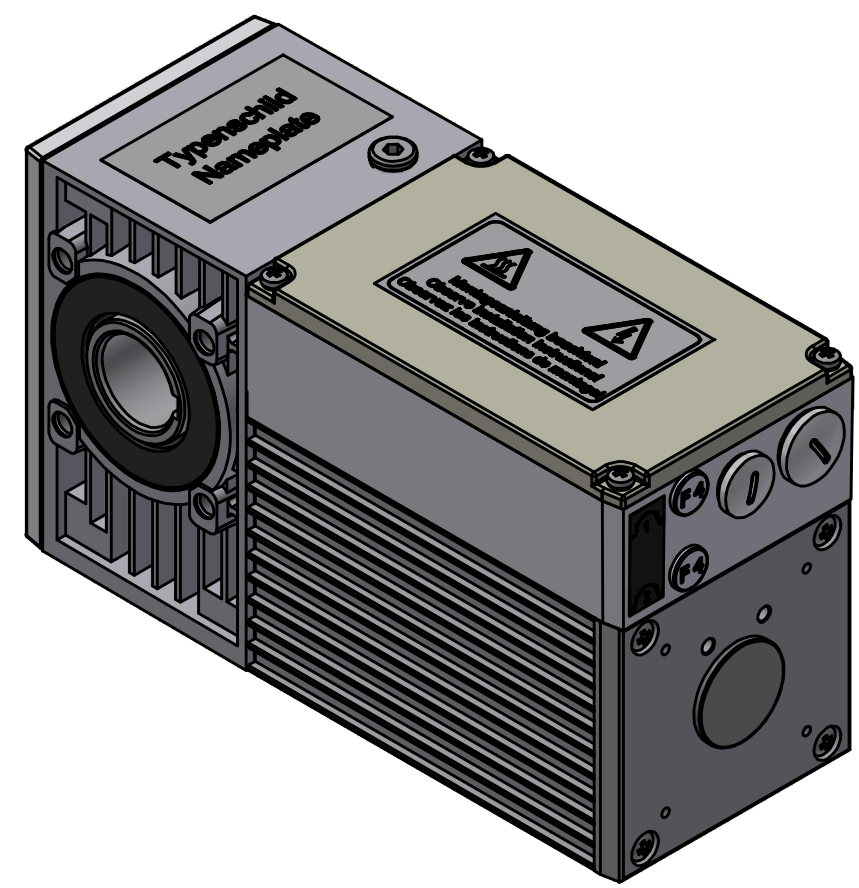
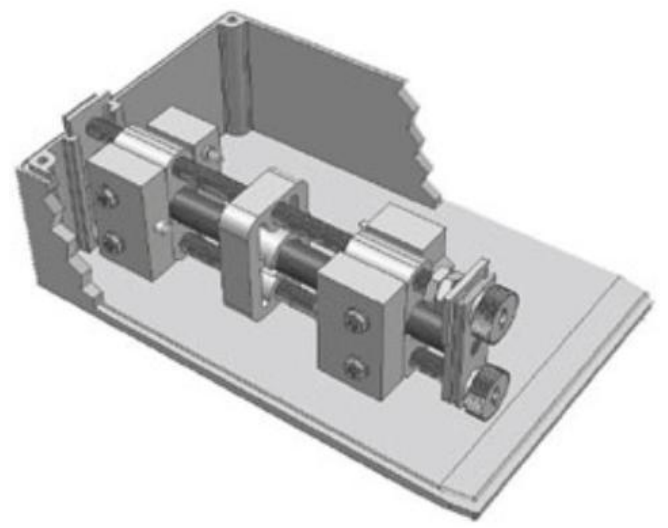


6 5 4 3 2 1



Configuration	
Description	Property value
Type	Compacta MS12
Mains	Direct current
Supply voltage	24 V DC
Supply connection	24 V DC
Output speed rpm	49 min ⁻¹
Output torque in Nm / Duty cycle (ED) in %	40 Nm / 30%
Self locking	No
Ratio	40,5 : 1
Lubrication	KLÜBERSY.UH1 14-1600
First gear stage	Plastic
Limit switch range	50 revolutions on output
Protection class	IP65
Motor rating	0,3 kW
Current value	25 A



Safeguarded by 2 safety limit switches without reversing contactors for applications with a defined end position in both directions of rotation.

Bezeichnung / designation		
Compacta MS12 Induction Motor		
Datenblatt / technical datasheet		
10000000000162358		 Franz Morat Group
Artikel Nr. / article no. 6-12-MS-0027		
gezeichnet / drawn	Datum / date 26.09.2023	Name / name mwid
Framo Morat GmbH & Co. KG Franz-Morat-Straße 6 D-79871 Eisenbach www.framo-morat.com		

6 5 4 3 2 1