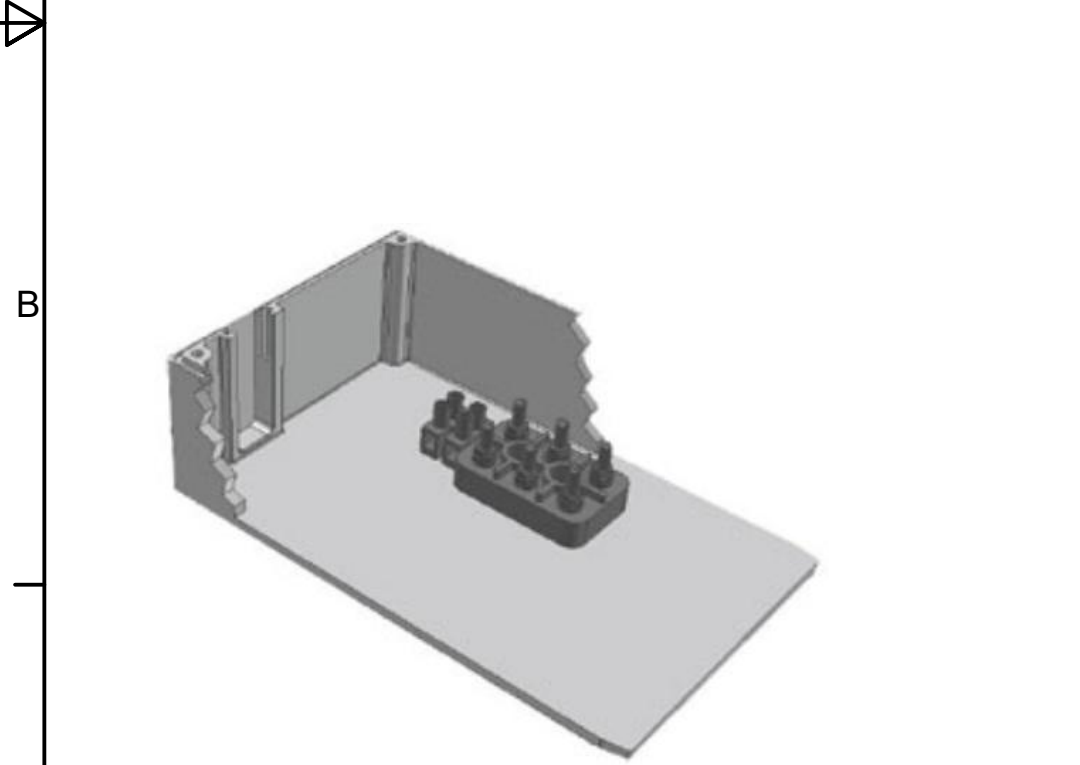
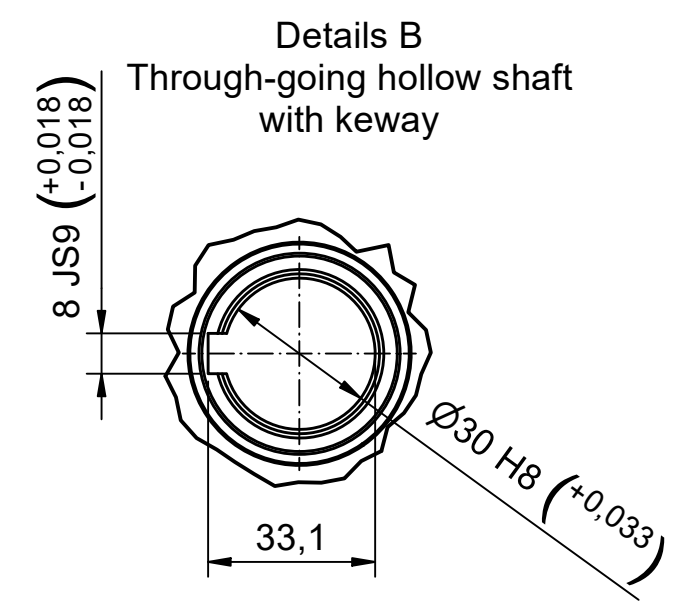
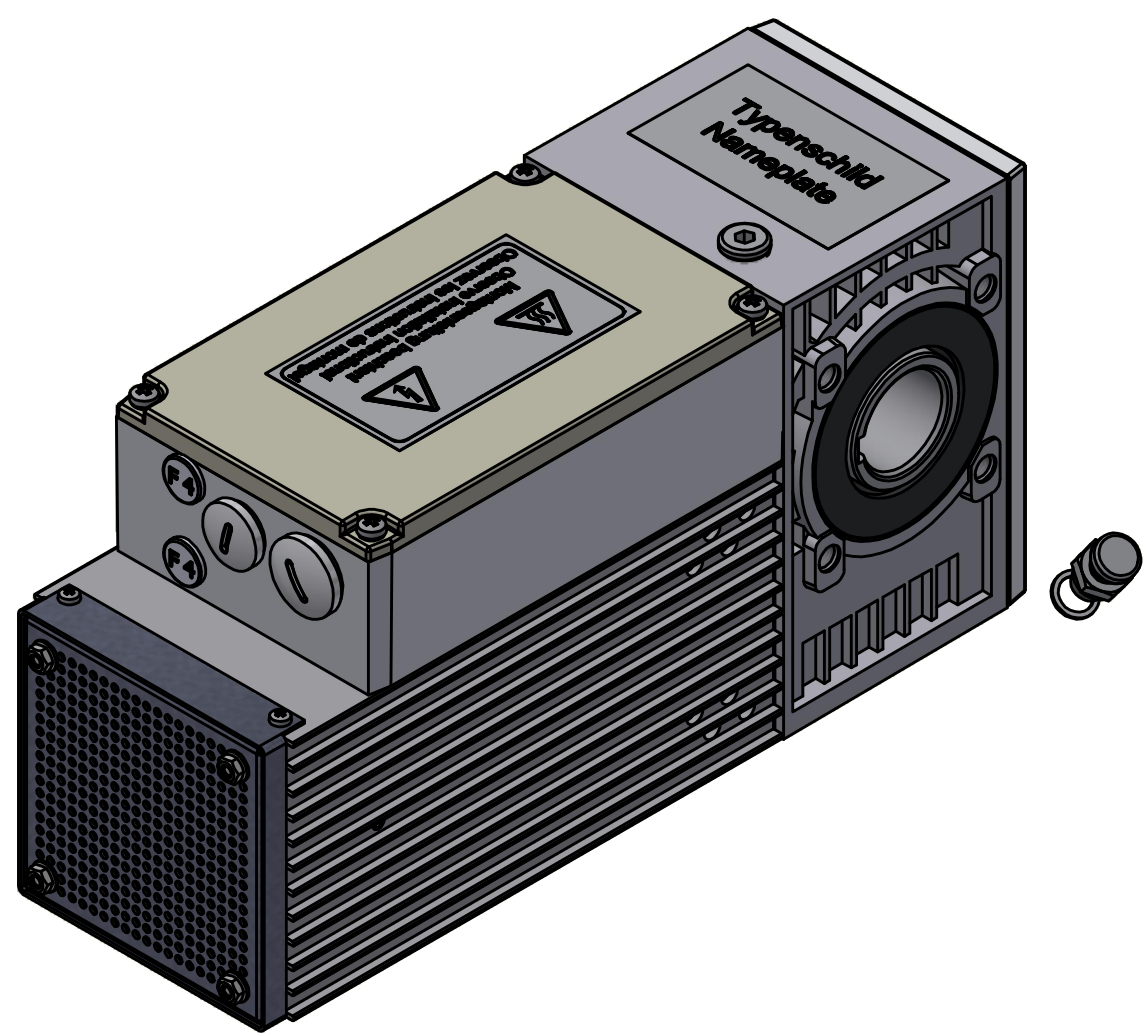



Configuration	
Description	Property value
Type	Compacta MS12
Mains	Three-phase current
Mains frequency	50 Hz
Y-Connection	Yes
Supply voltage	230/400V AC
Supply connection	3 x 400V AC
Output speed rpm	68 min ⁻¹
Output torque in Nm / Duty cycle (ED) in %	39,5 Nm / 40% 29,5 Nm / 60% 29,5 Nm / 100%
Duty cycle according to nameplate	100%
Self locking	No
Ratio	40,5 : 1
Lubrication	TRIBOL 800/680
First gear stage	Plastic
Protection class	IP65
Motor rating	0,3 kW
Current value	1,3 A
Equipment	
Self-ventilating fan	
Vent valve with sealing ring	



Terminal box (limit switch housing without a switching mechanism).



Bezeichnung / designation		Compacta MS12 Induction Motor	
Datenblatt / technical datasheet			
10000000000162323		 Franz Morat Group	
Artikel Nr. / article no. 6-12-MS-0017			
Datum / date	Name / name	Framo Morat GmbH & Co. KG Franz-Morat-Straße 6 D-79871 Eisenbach www.framo-morat.com	
gezeichnet / drawn	04.10.2023 mwid		