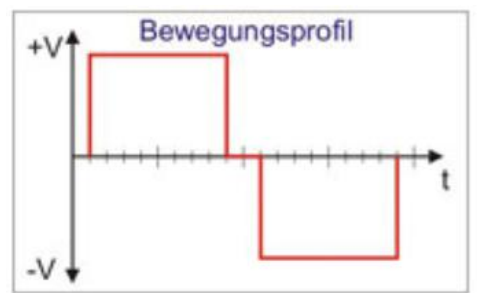
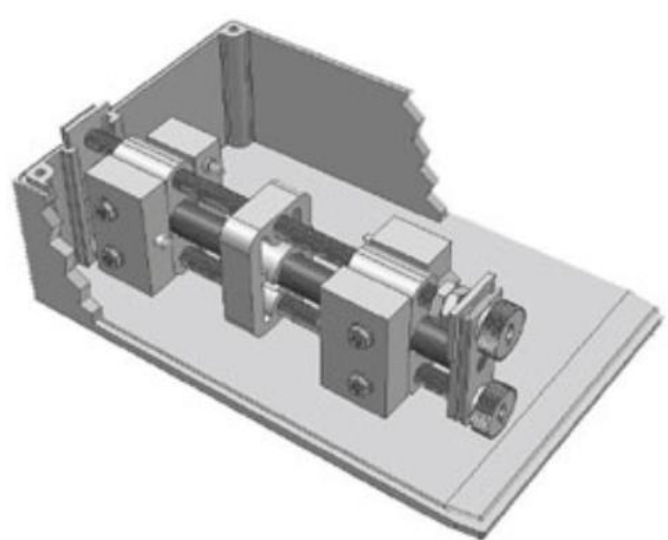
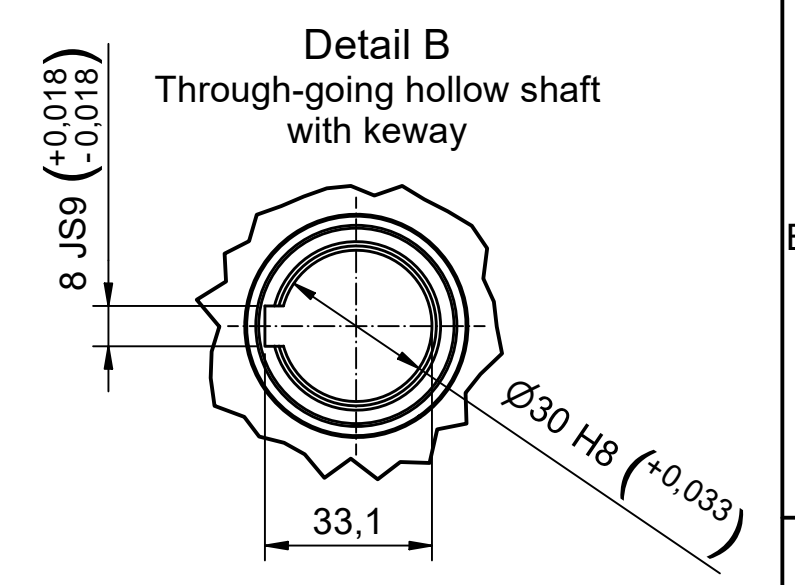
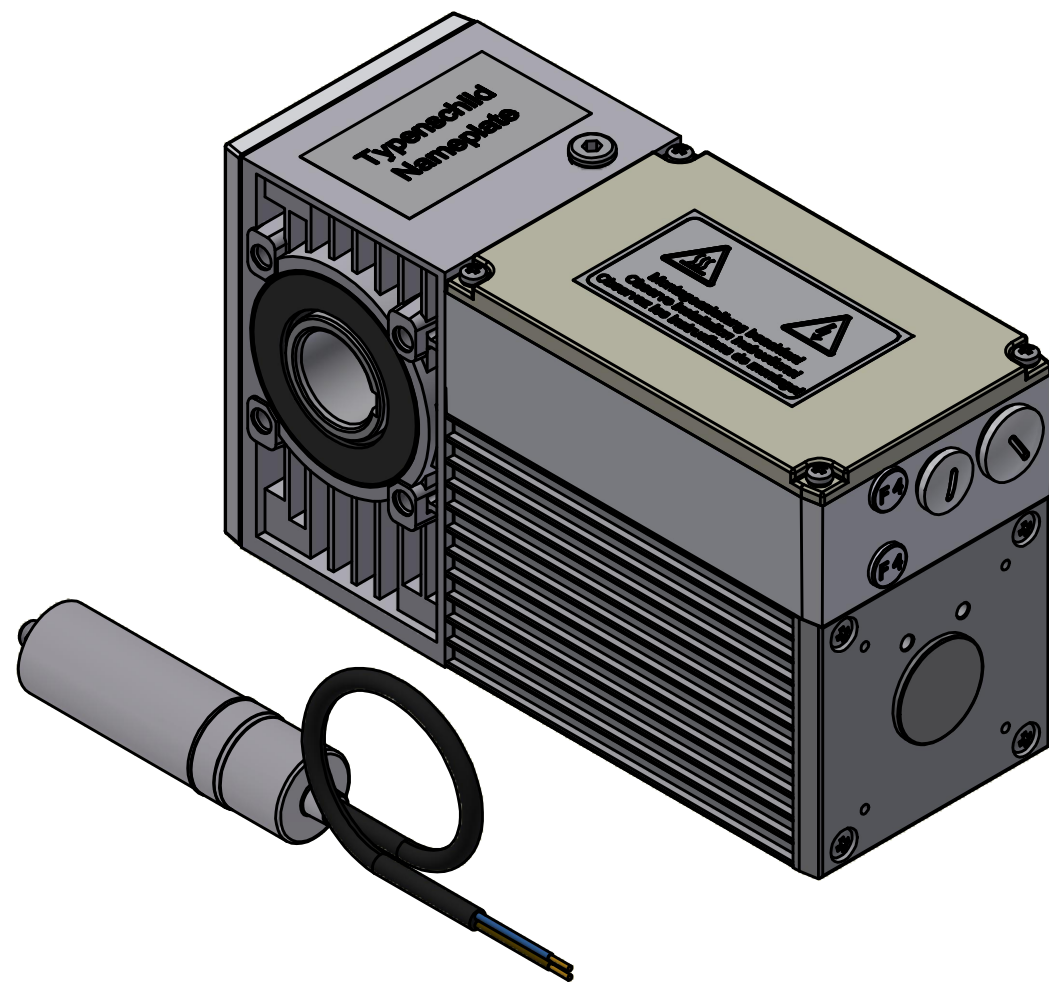


Configuration	
Description	Property value
Type	Compacta MS12
Mains	Alternating current
Mains frequency	50 Hz
Y-Connection	No
Supply voltage	230V AC
Supply connection	1 x 230V AC
Motor condenser	16 µF
Output speed rpm	6,1 min-1
Output torque in Nm / Duty cycle (ED) in %	84,9 Nm / 20% 22,5 Nm / 60%
Self locking	dynamic
Ratio	225 : 1
Lubrication	TRIBOL 800/680
First gear stage	Plastic
Limit switch range	10 revolutions on output
Protection class	IP54
Motor rating	0,25 kW
Current value	1,80 A



Safeguarded by 2 safety limit switches without reversing contactors for applications with a defined end position in both directions of rotation.



Bezeichnung / designation			 Franz Morat Group
Compacta MS12 Induction Motor			
Datenblatt / technical datasheet			Framo Morat GmbH & Co. KG Franz-Morat-Straße 6 D-79871 Eisenbach www.framo-morat.com
10000000000162254			
Artikel Nr. / article no. 6-12-MS-0011			
gezeichnet / drawn	Datum / date 19.09.2023	Name / name mwid	