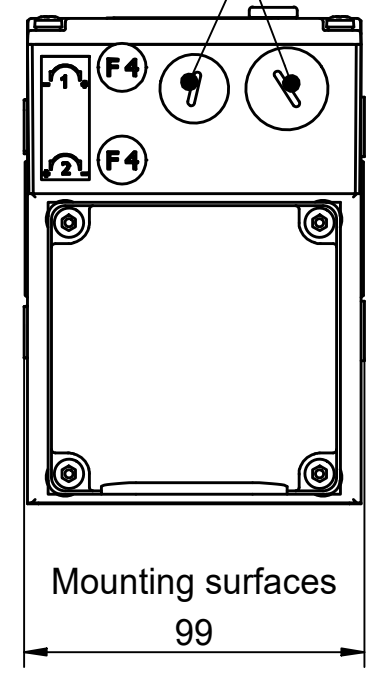
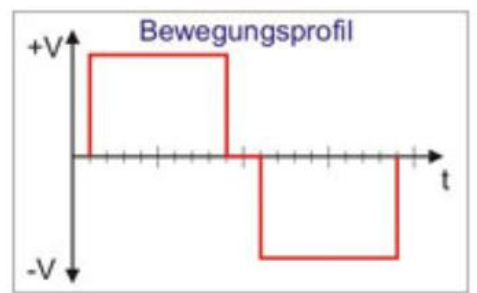
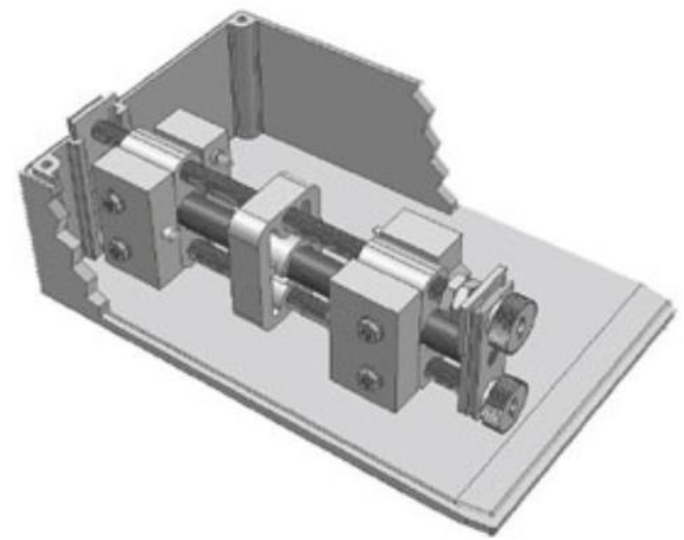


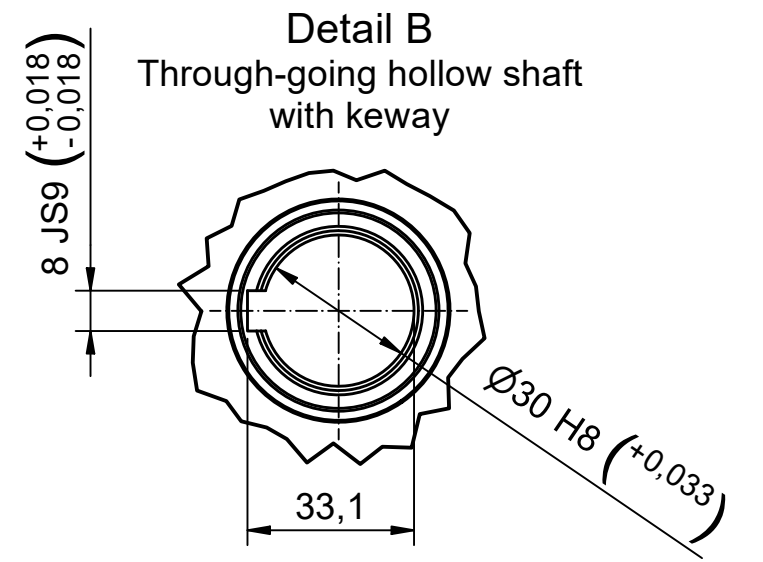
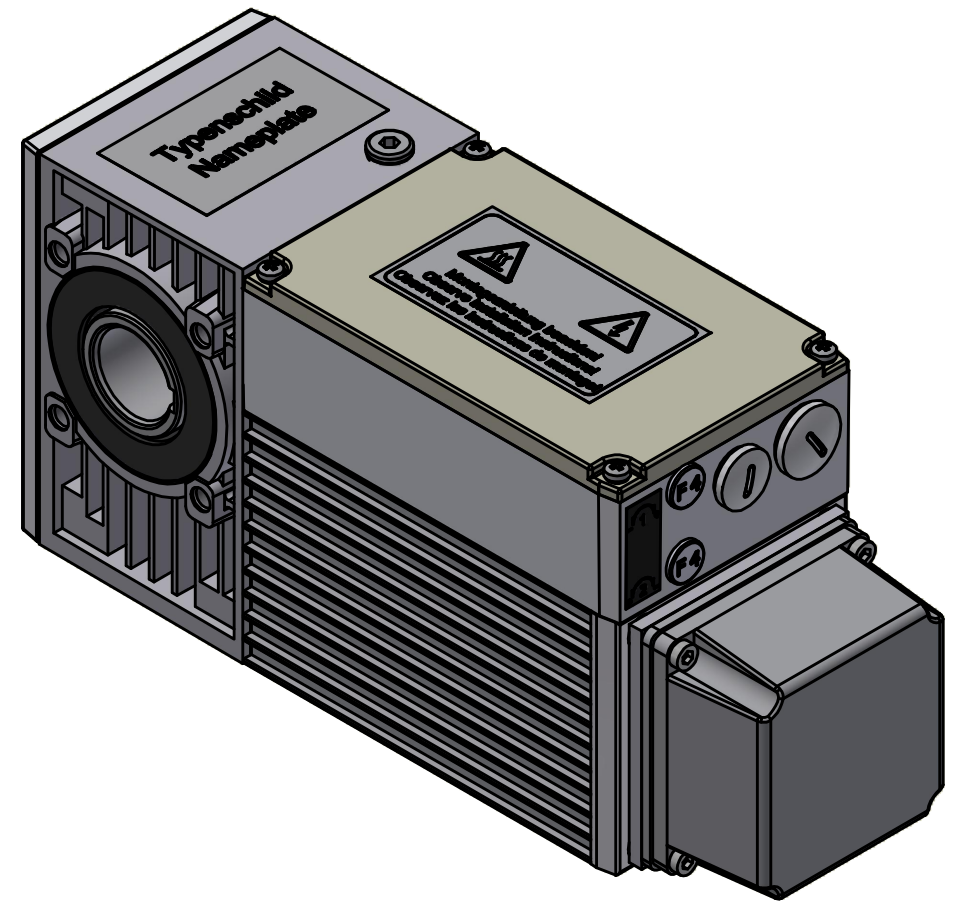
Connection:
tapped hole
M16x1,5 + M20x1,5



Configuration	
Description	Property value
Type	Compacta MS12
Mains	Three-phase current
Mains frequency	50 Hz
Y-Connection	Yes
Supply voltage	230/400V AC
Supply connection	3 x 400V AC
Output speed rpm	137,5 min ⁻¹
Output torque in Nm / Duty cycle (ED) in %	21 Nm / 40% 15,7 Nm / 60%
Duty cycle according to nameplate	60%
Self locking	No
Ratio	20 : 1
Lubrication	TRIBOL 800/680
First gear stage	Plastic
Limit switch range	12 revolutions on output
Protection class	IP54
Motor rating	0,3 kW
Current value	1,3 A
Equipment	
Spring applied brake 2Nm / 24V DC	



Safeguarded by 2 safety limit switches
without reversing contactors for
applications with a defined end
position in both directions of rotation.



Bezeichnung / designation Compacta MS12 Induction Motor		
Datenblatt / technical datasheet		
10000000000161702		 Franz Morat Group
Artikel Nr. / article no. 6-12-MS-0009		
gezeichnet / drawn	Datum / date 11.09.2023	Name / name mwid
Framo Morat GmbH & Co. KG Franz-Morat-Straße 6 D-79871 Eisenbach www.framo-morat.com		