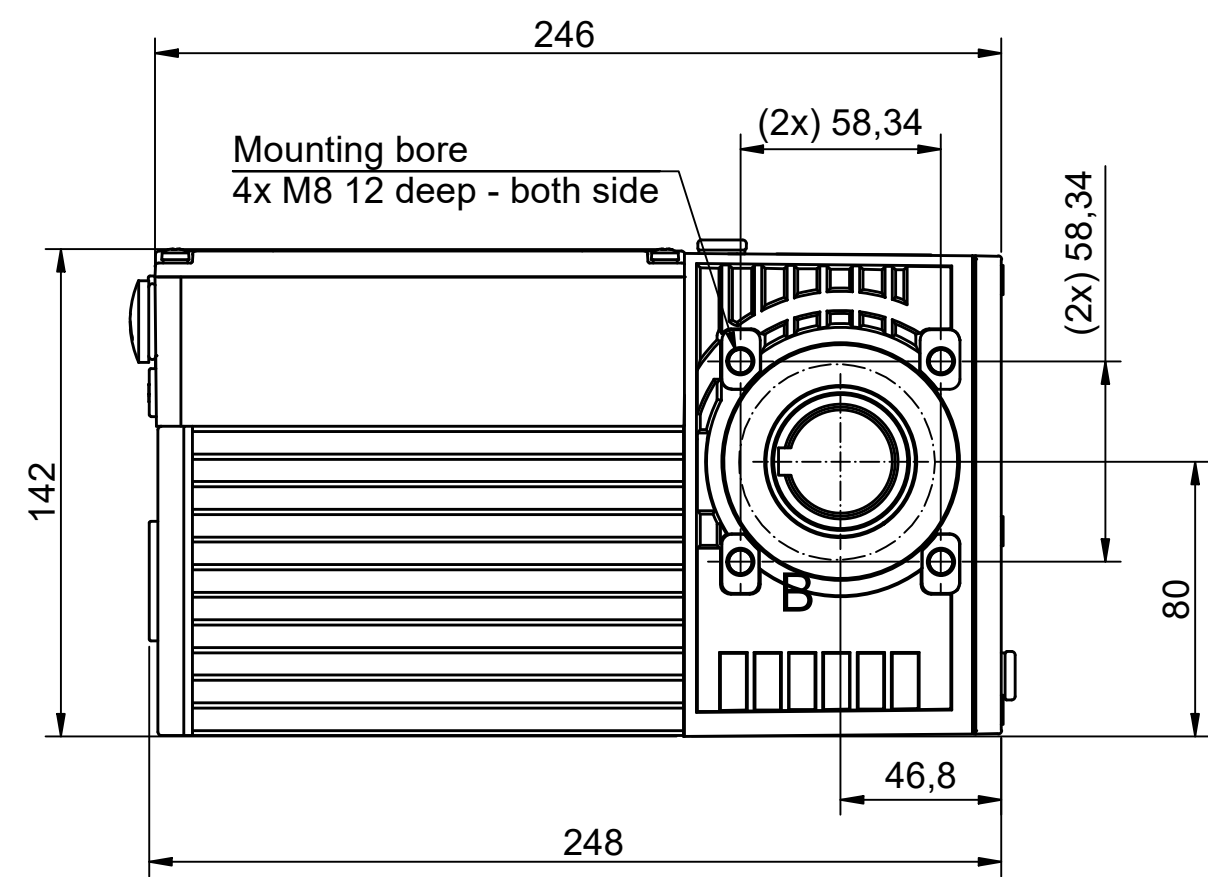
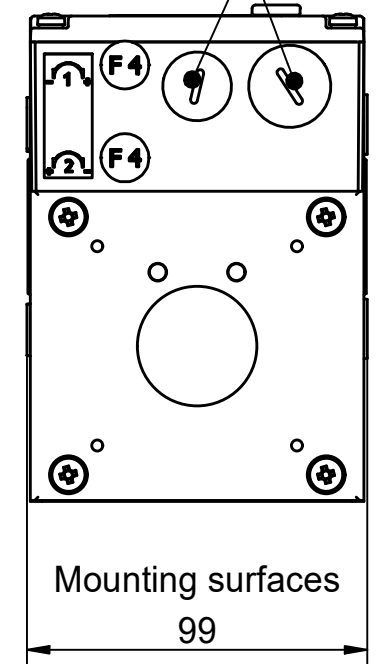


6 5 4 3 2 1

D



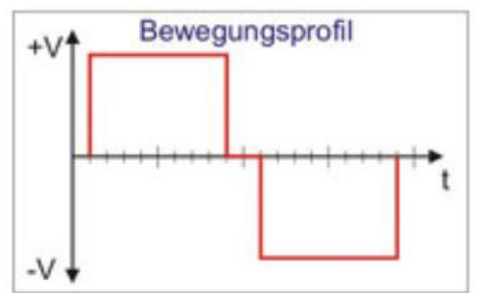
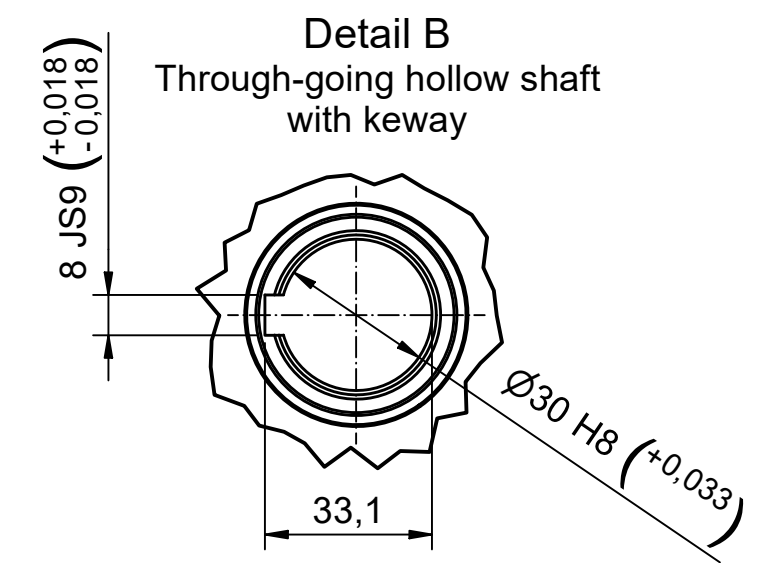
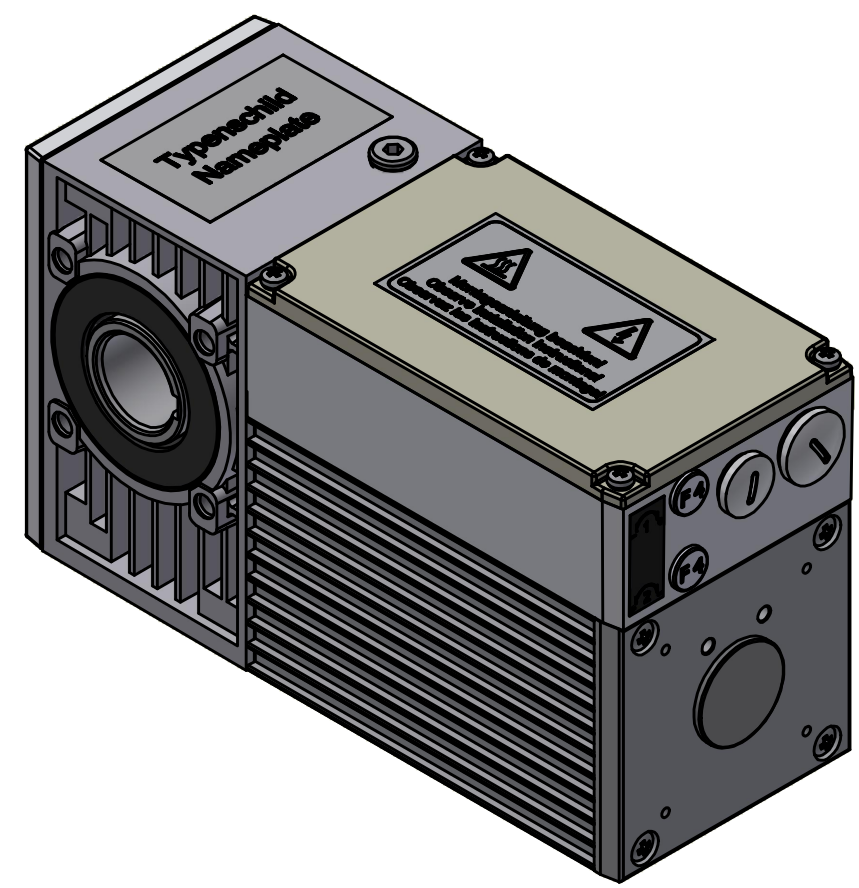
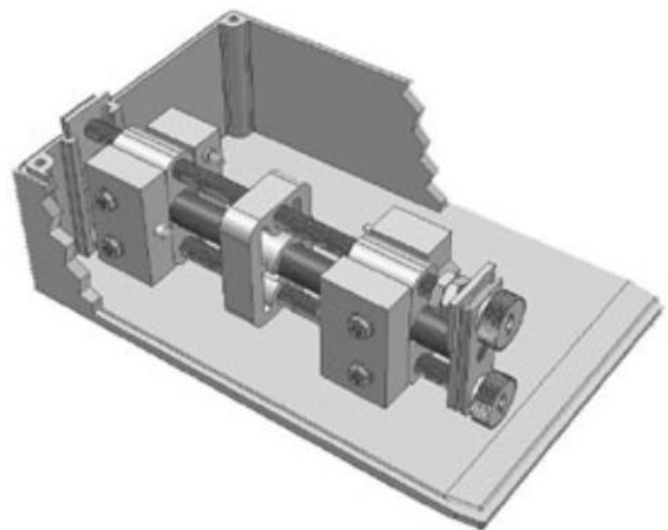
Connection:  
tapped hole  
M16x1,5 + M20x1,5



Configuration	
Description	Property value
Type	Compacta MS12
Mains	Three-phase current
Mains frequency	50 Hz
Y-Connection	Yes
Supply voltage	230/400V AC
Supply connection	3 x 400V AC
Output speed rpm	94,8 min <sup>-1</sup>
Output torque in Nm / Duty cycle (ED) in %	30 Nm / 40% 22,5 Nm / 60%
Duty cycle according to nameplate	40%
Self locking	No
Ratio	29 : 1
Lubrication	Klübersynth UH1
First gear stage	Plastic
Limit switch range	40 revolutions on output
Protection class	IP54
Motor rating	0,4 kW
Current value	1,25 A

C

B



Safeguarded by 2 safety limit switches without reversing contactors for applications with a defined end position in both directions of rotation.

Bezeichnung / designation		Compacta MS12 Induction Motor	
Datenblatt / technical datasheet			
10000000000162140		 Franz Morat Group	
Artikel Nr. / article no. 6-12-MS-0008			
gezeichnet / drawn	Datum / date 18.12.2023	Name / name mwid	<b>Framo Morat GmbH &amp; Co. KG</b> Franz-Morat-Straße 6 D-79871 Eisenbach www.framo-morat.com

A

6 5 4 3 2 1