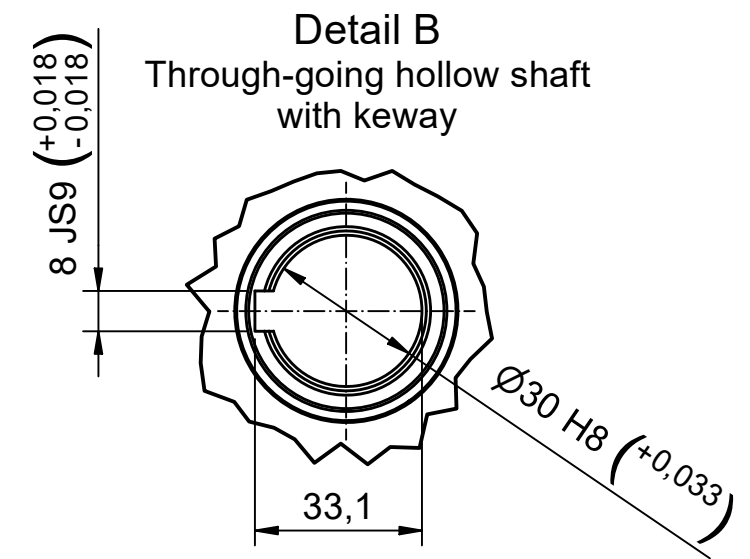
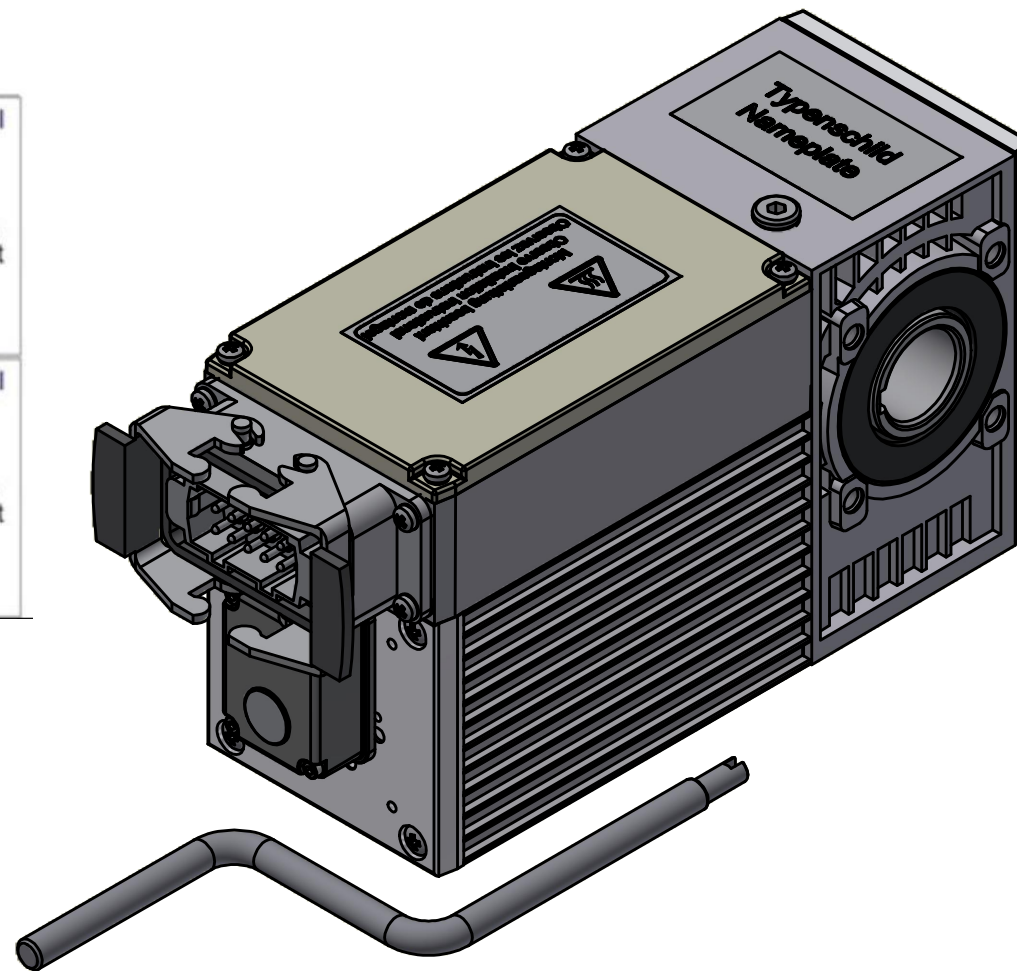
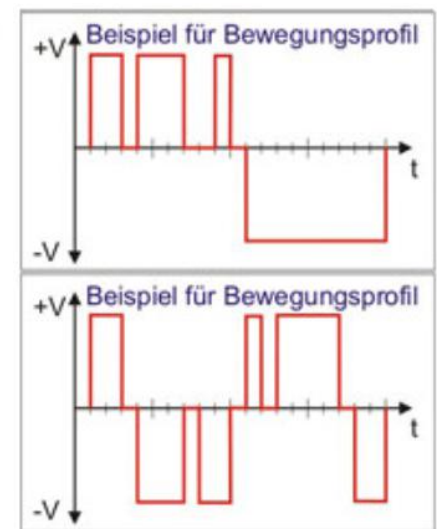
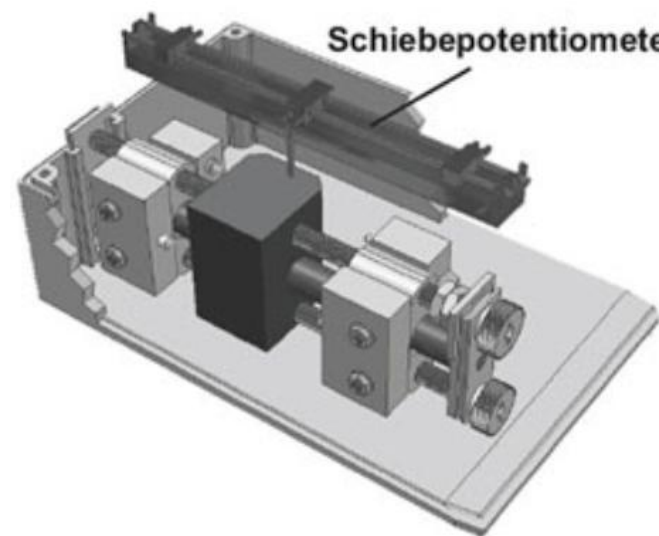


Configuration	
Description	Property value
Type	Compacta MS12
Mains	Three-phase current
Mains frequency	60 Hz
Y-Connection	Yes
Supply voltage	265/460V AC
Supply connection	3 x 460V AC
Output speed rpm	36,7 min <sup>-1</sup>
Output torque in Nm / Duty cycle (ED) in %	63 Nm / 30%
Self locking	static
Ratio	90 : 1
Lubrication	TRIBOL 800/680
First gear stage	Plastic
Limit switch range	12 revolutions on output
Protection class	IP54
Motor rating	0,48 kW
Current value	1,5 A
Equipment	
Hand crank with electric protection	
Industrial socket with 10 pin insert	
Slide potentiometer 1 kOhm	



Safeguarded by 2 safety limit switches for applications with a defined end position in both directions of rotation.

Additional position signal using linear potentiometers.

Bezeichnung / designation			 Franz Morat Group
<b>Compacta MS12 Induction Motor</b> Datenblatt / technical datasheet			
10000000000162160			
Artikel Nr. / article no.			
6-12-MS-0005			
	Datum / date	Name / name	<b>Framo Morat GmbH &amp; Co. KG</b> Franz-Morat-Straße 6 D-79871 Eisenbach www.framo-morat.com
gezeichnet / drawn	14.09.2023	mwid	