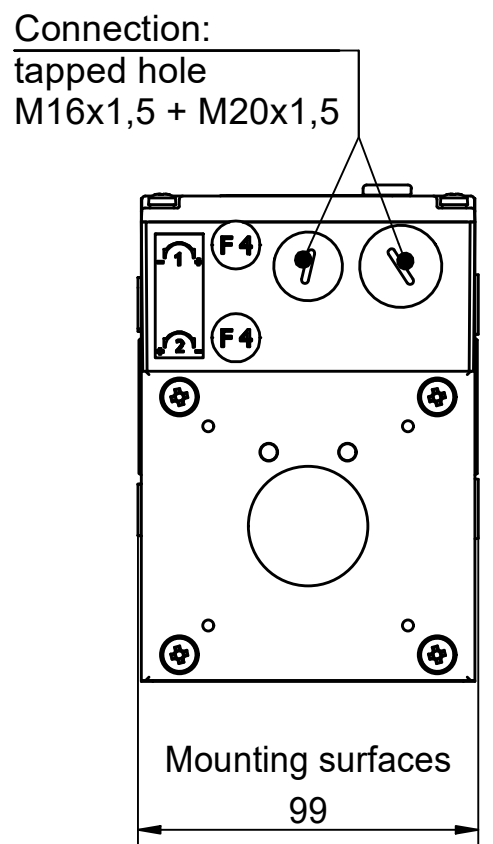
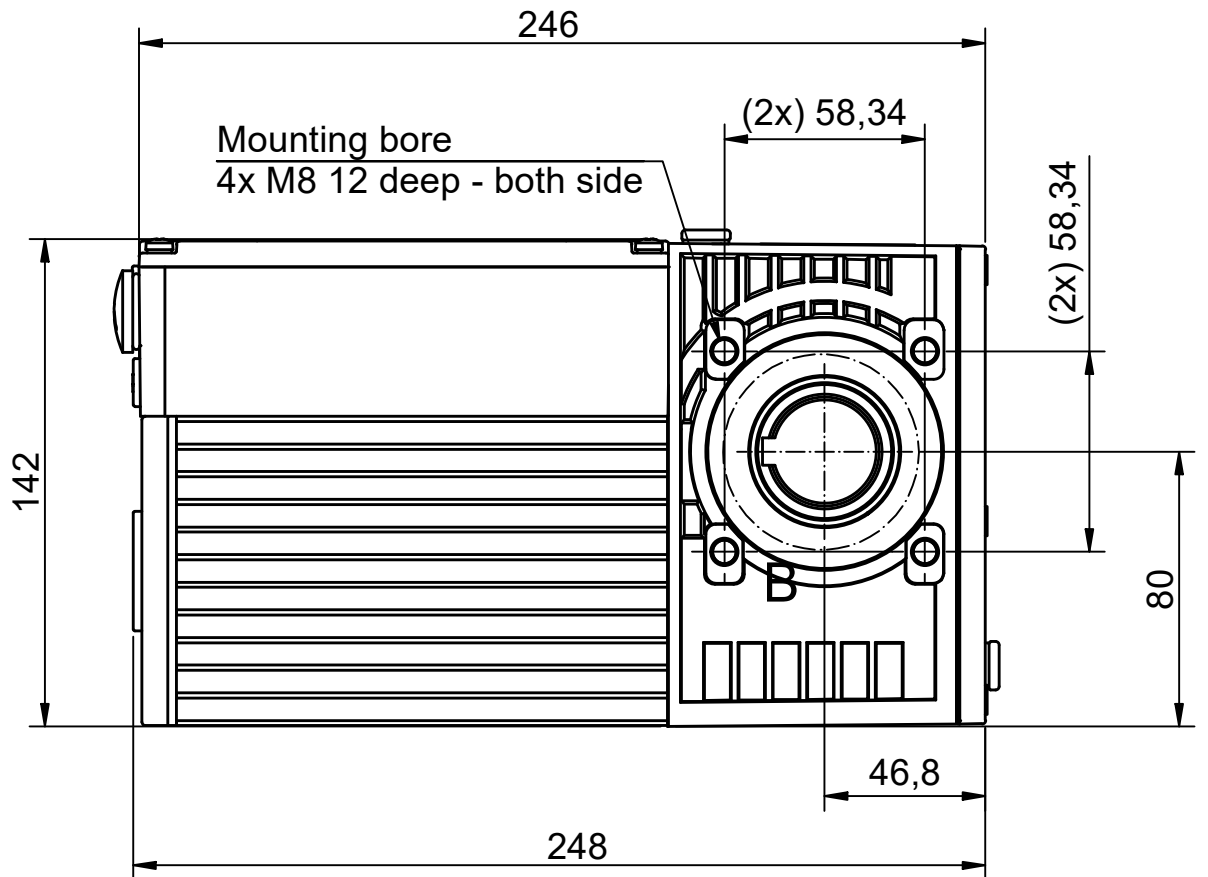
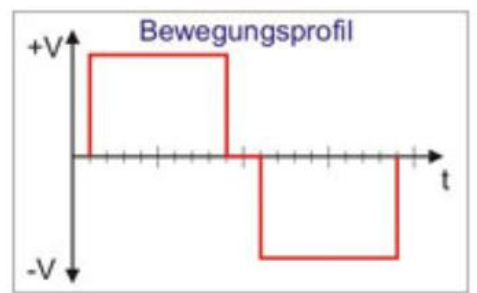
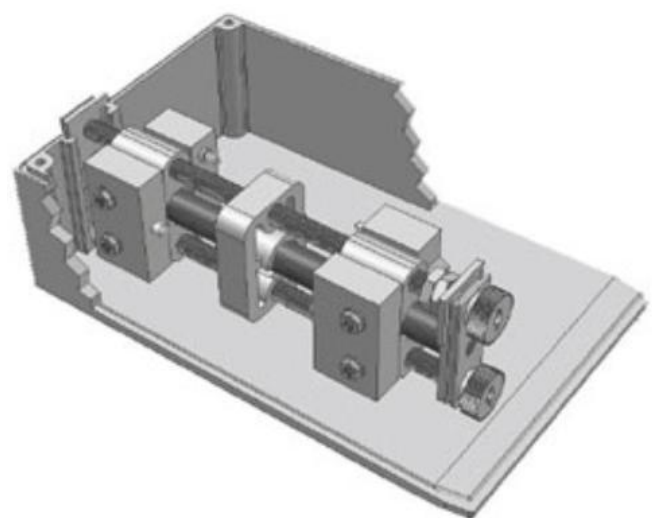


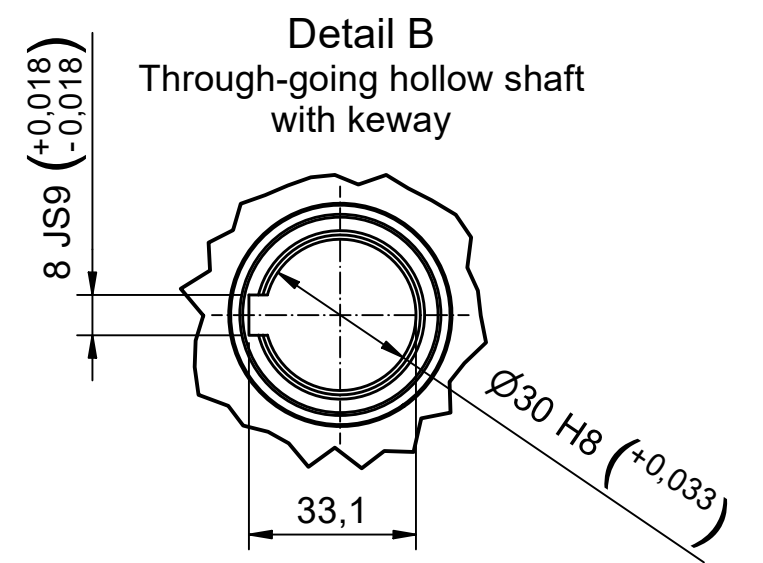
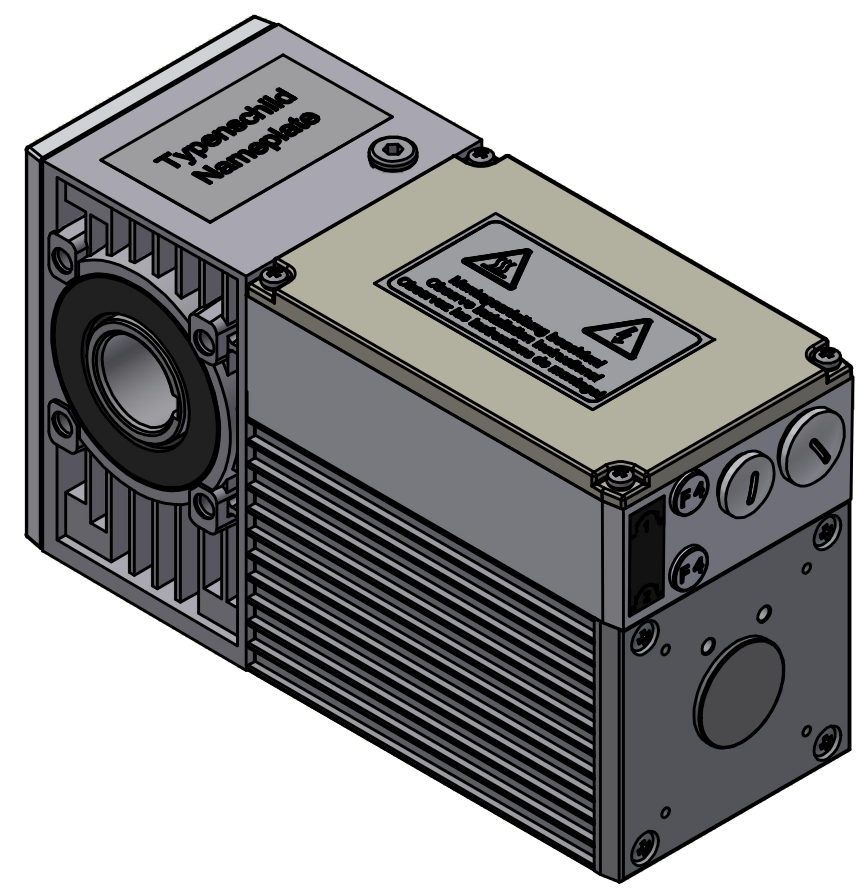
6 5 4 3 2 1



| Configuration                              |                            |
|--|----------------------------|
| Description                                | Property value             |
| Type                                       | Compacta MS12              |
| Mains                                      | Three-phase current        |
| Mains frequency                            | 50 Hz                      |
| Y-Connection                               | Yes                        |
| Supply voltage                             | 230/400V AC                |
| Supply connection                          | 3 x 400V AC                |
| Output speed rpm                           | 16,4 min-1                 |
| Output torque in Nm / Duty cycle (ED) in % | 88 Nm / 40%<br>66 Nm / 60% |
| Duty cycle according to nameplate          | 60%                        |
| Self locking                               | static                     |
| Ratio                                      | 84 : 1                     |
| Lubrication                                | TRIBOL 800/680             |
| First gear stage                           | Plastic                    |
| Limit switch range                         | 120 revolutions on output  |
| Protection class                           | IP65                       |
| Motor rating                               | 0,23 kW                    |
| Current value                              | 1,0 A                      |



Safeguarded by 2 safety limit switches without reversing contactors for applications with a defined end position in both directions of rotation.



|   |                            |                               |  |
|---|----------------------------|-------------------------------|--|
| Bezeichnung / designation                 |                            | Compacta MS12 Induction Motor |  |
| Datenblatt / technical datasheet          |                            |                               |  |
| 10000000000162129                         |                            | <br>Franz Morat Group         |  |
| Artikel Nr. / article no.<br>6-12-MS-0003 |                            |                               |  |
| gezeichnet / drawn                        | Datum / date<br>13.09.2023 | Name / name<br>mwid           | <b>Framo Morat GmbH &amp; Co. KG</b><br>Franz-Morat-Straße 6<br>D-79871 Eisenbach<br>www.framo-morat.com |

6 5 4 3 2 1